



Sound & Vision  
Hilversum (NL)  
Neutelings Riedijk  
Architects, Rotterdam

## Introduction Jansen Steel Systems

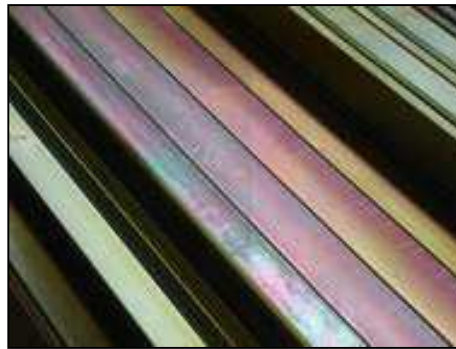
Lorenz Bühlmann

## Profile surfaces

raw



electrogalvanized



galvanized



Stainless steel



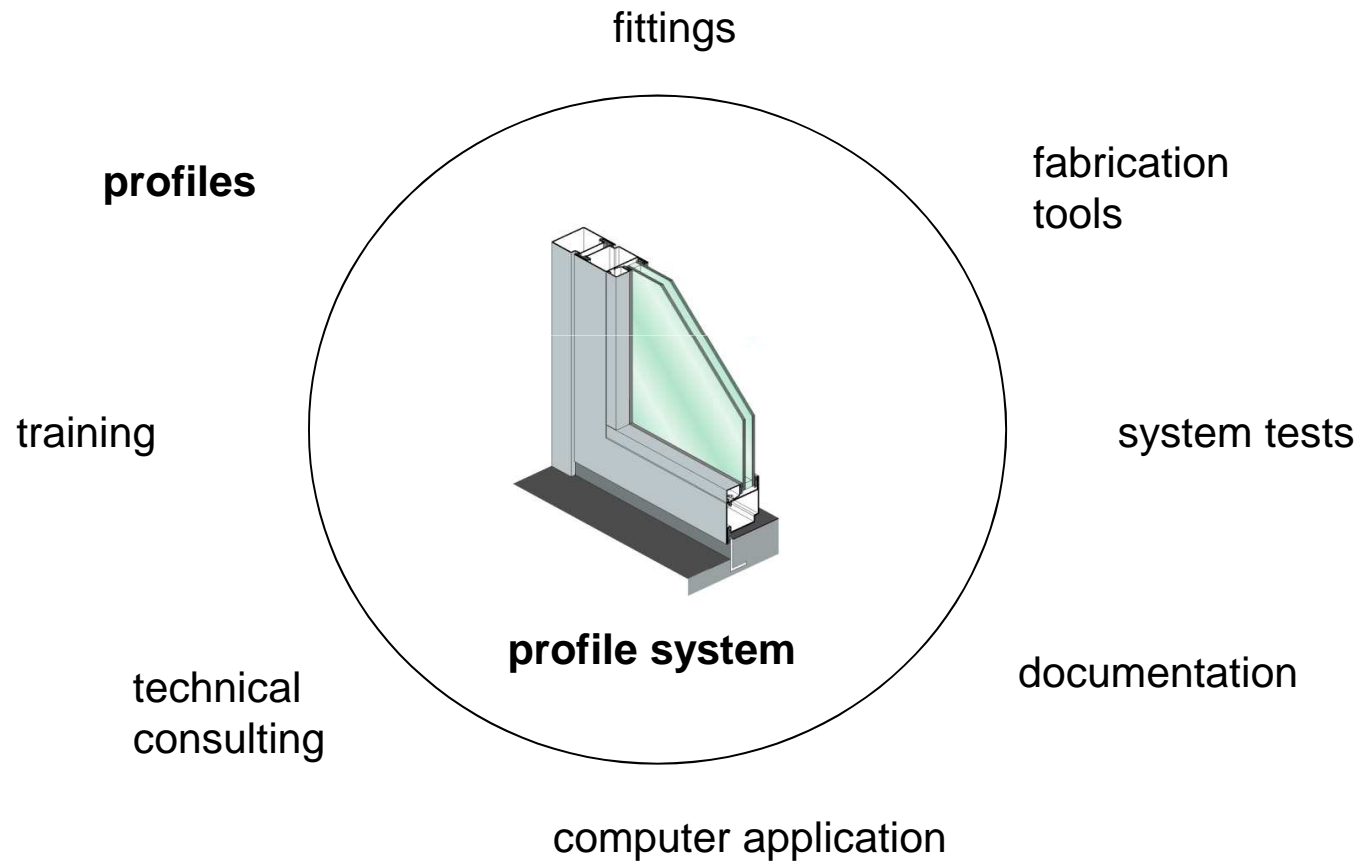
1.4401 AISI 316L (V4A)

1.4307 AISI 304L

GV+GC =  
electrogalvanized on  
the outside (approx. 15  
µm) and yellow  
chromatized

Z = made from hot-dip  
galvanised strip lightly  
oiled (Zinc coating 275  
g/m<sup>2</sup> approx 20 µm inside  
and out.

# The range of Jansen system solution



## Protection against...



**Fire**



**Rain**



**Wind**



**Noise**



**Burglary**



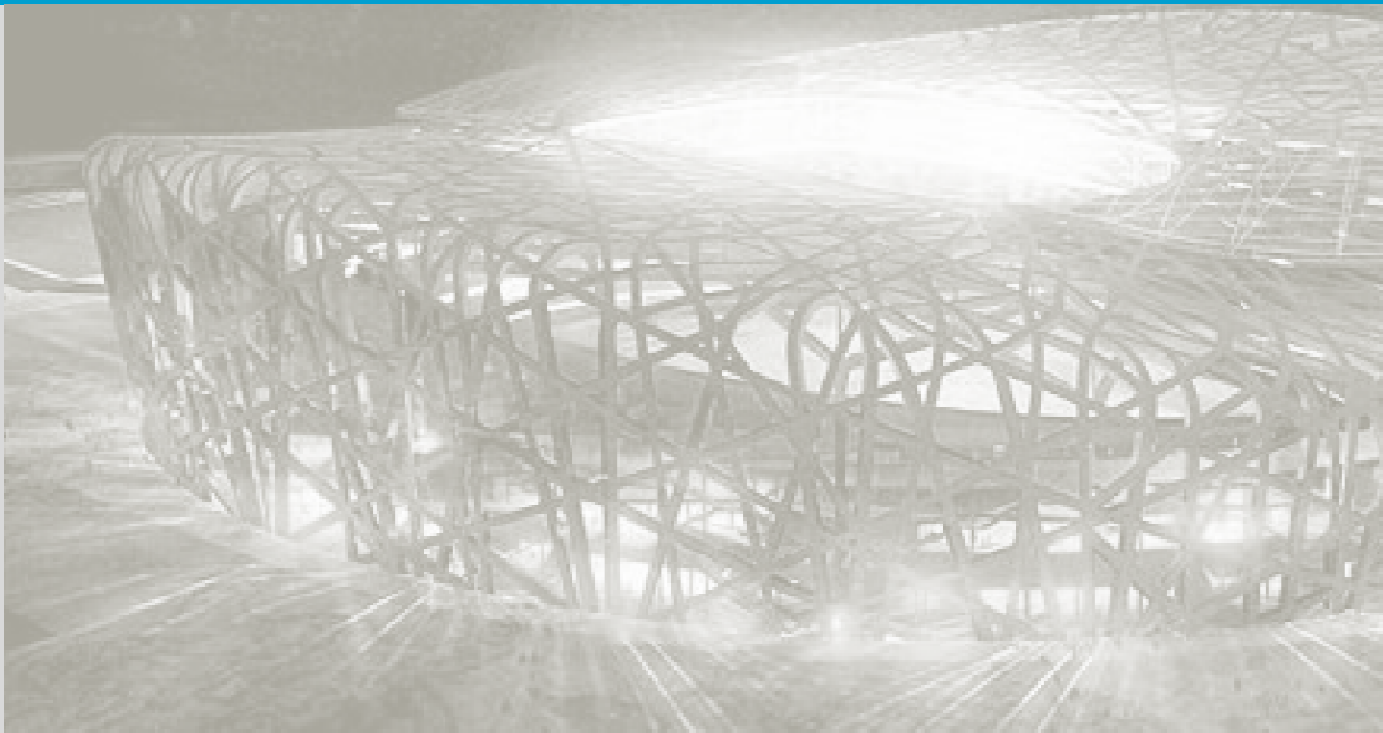
**Bullets**



**Through throw**



**Through braking**



Non insulated profile systems

National stadium, Peking  
Herzog & De Meuron (CH)

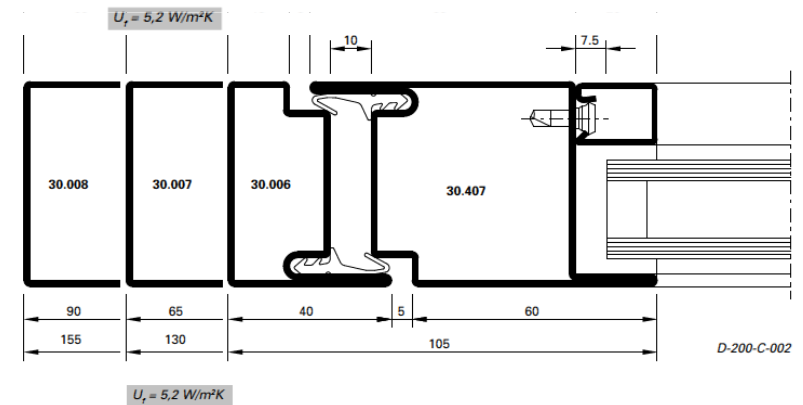
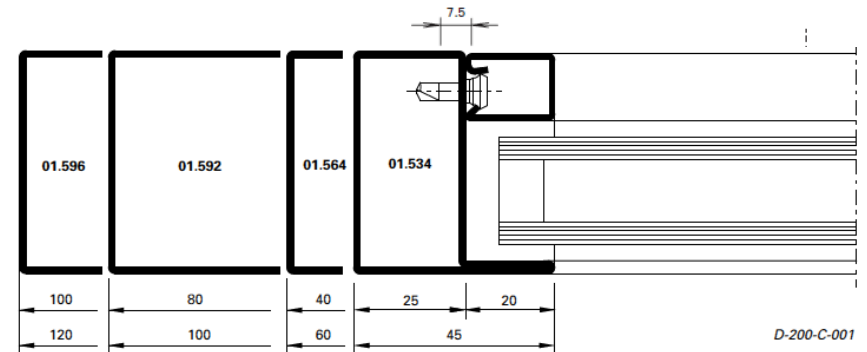
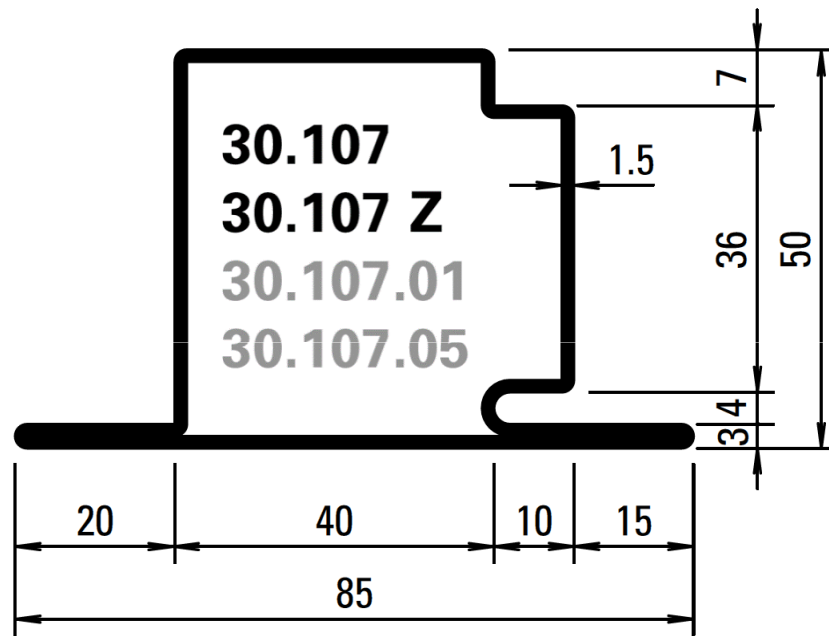


## Non insulated profile systems



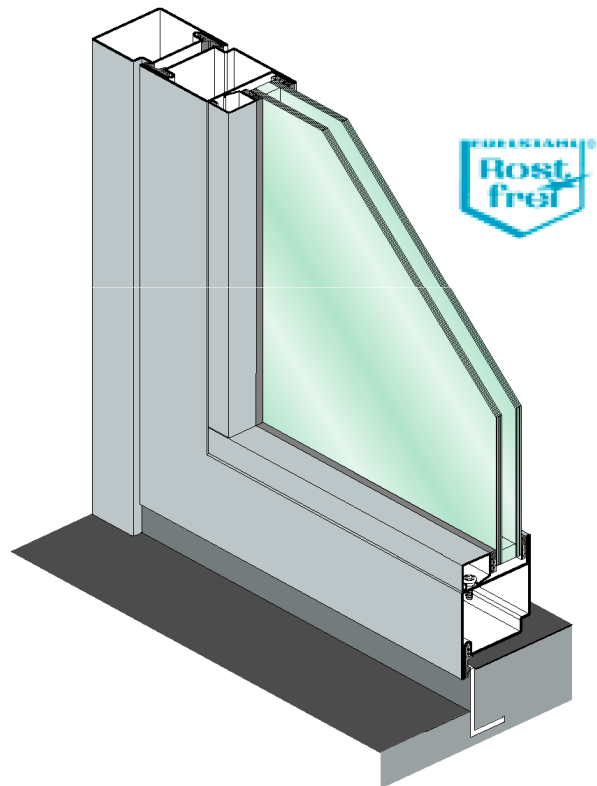
Economy 50  
doors and screens

## Profile data in technical documentation



- 30.107 : Bright (raw)
- 30.107 Z : pre-galvanised steel strip (20 microns)
- 30.107.01 : Stainless steel 1.4404 (AISI 316L)
- 30.107.05 : Stainless steel 1.4307 (AISI 304L)

## Jansen Economy 50 (stainless steel)



### Material

Raw metal with surface finish 2B (IIIC) (EN 10088 T2)  
polished faces (grain 220-240 or 320-400) if required.

Material 1.4404 (AISI 316L)

Material 1.4307 (AISI 304L)

Suitable for Medical, catering and marine environments

### Maximum size and weight

Vent width: 1200 [mm]

Vent height: 3000 [mm]

Vent weight: → after table



## Example of Jansen Economy 50 (stainless steel)

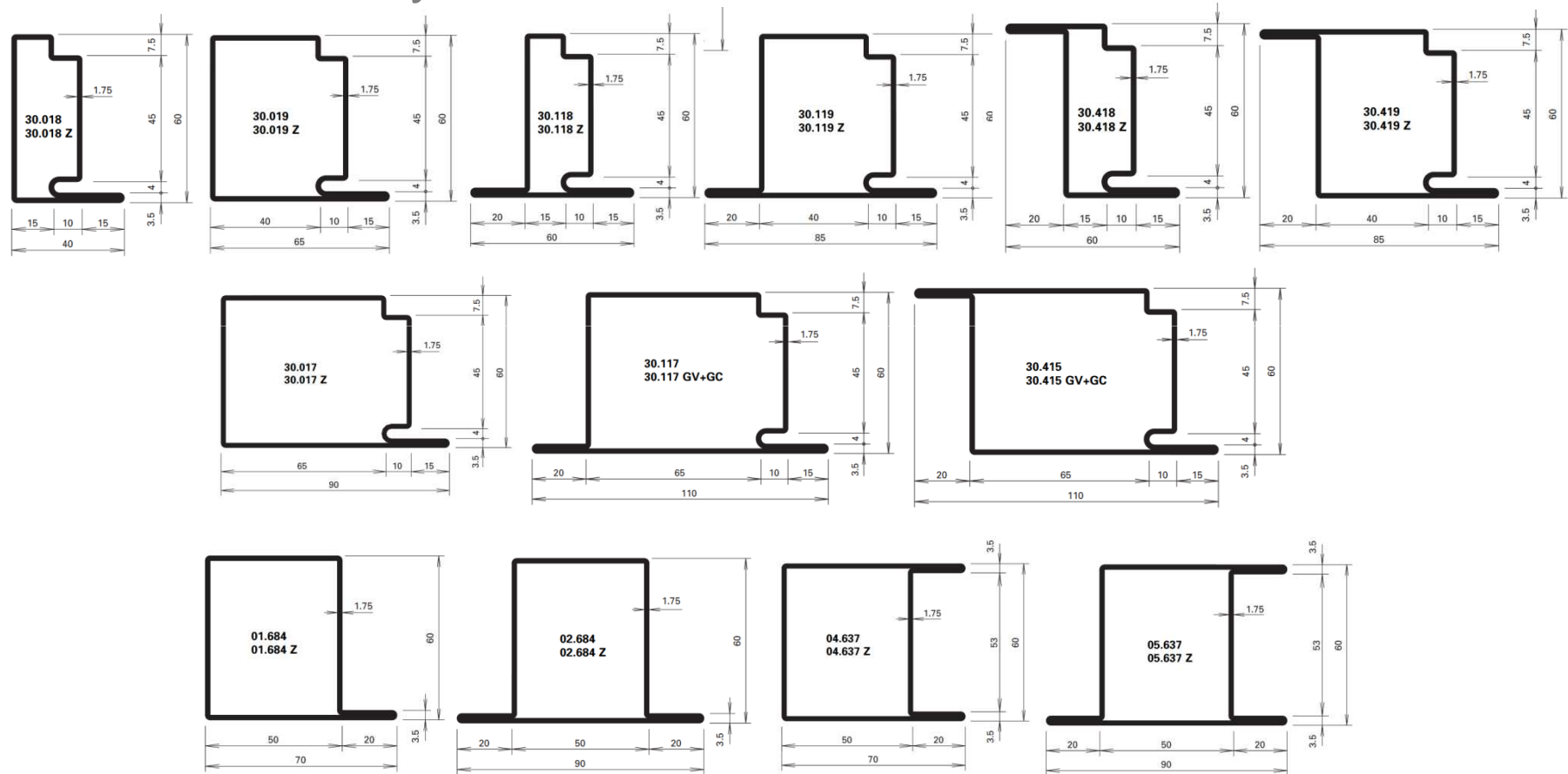


## Non insulated profile systems

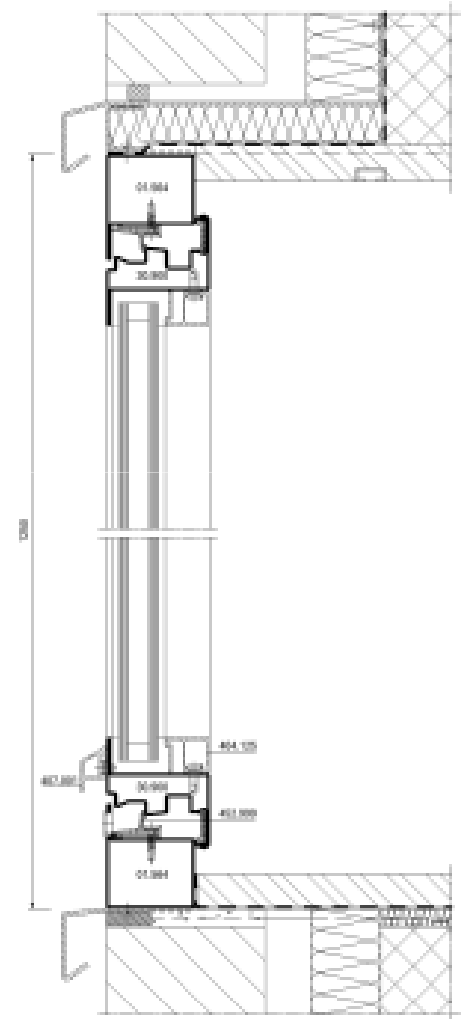
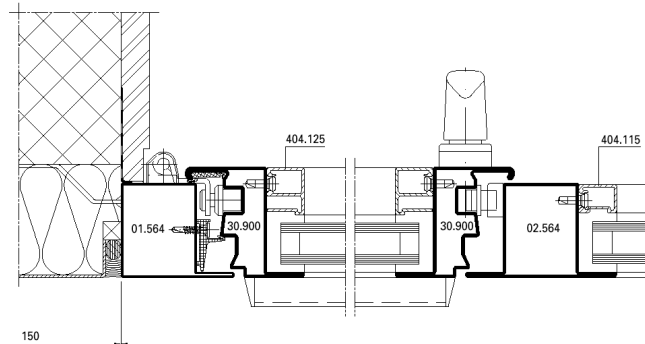


Economy 60  
doors and screens

## Jansen Economy 60 doors and screens

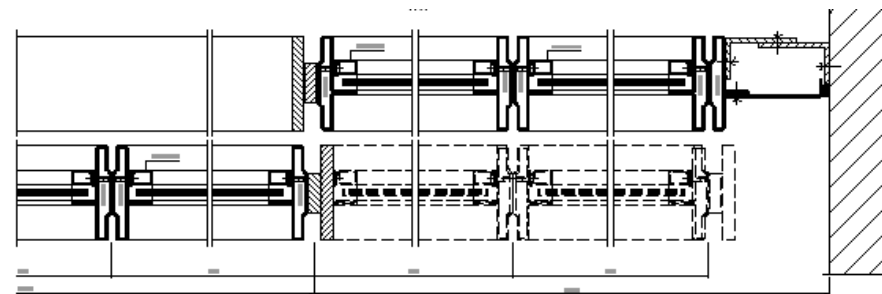
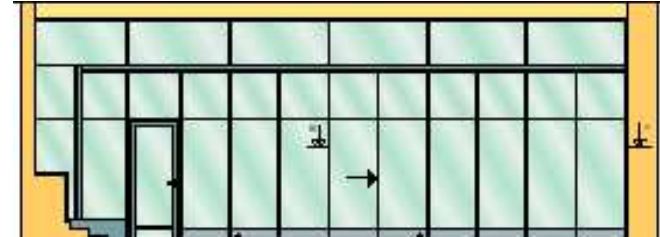
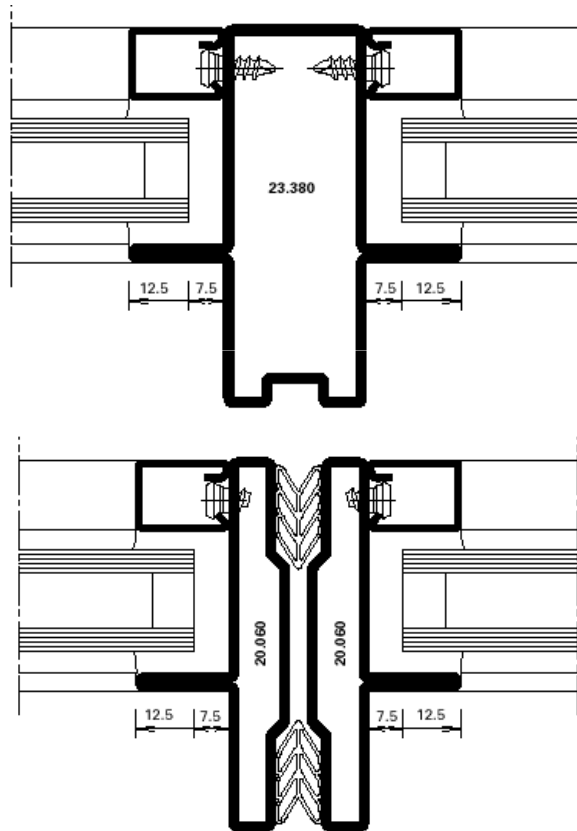


## Examples of Jansen Economy windows (1)



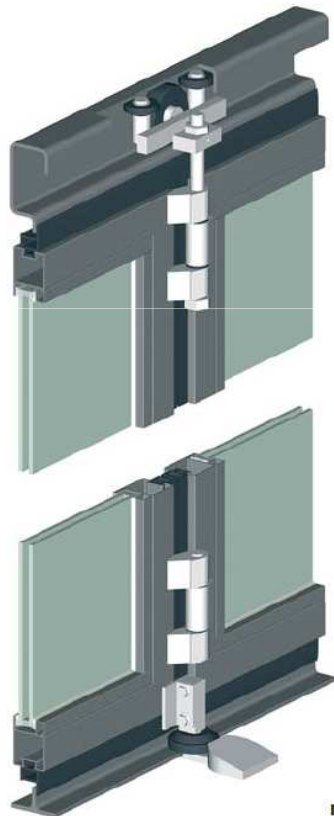
Place with temp. Ø min. 16°C, temp. Ø max. 25°C

## Standard profiles

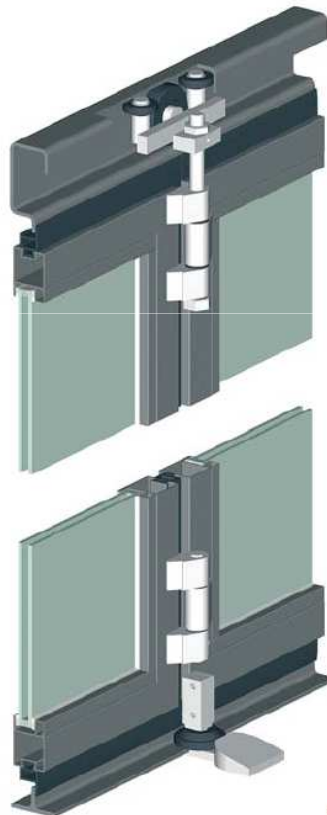




## Folding doors



m-45



m-25



**Nachweis**  
 Torsionssteifigkeit  
 Schlagenergieeinstreift  
 Widerstand gegen Windlast

Prüfbericht 248 23976

---

**Hersteller:** Jansen AG  
 Industriestraße 34  
 019 940 Oberer DC

---

**Produkt:** Falttürsystem  
**Abmessung:** "m25" / "m45"  
**Größe:** 3500 mm x 3000 mm  
**Fläche:** 10,5 m<sup>2</sup>  
**Öffnungsrichtung:** horizontal  
**Montageart:** Tüfuge aus Stahlprofilen  
**Montagehöhe:** Führungsschiene oben und unten aus Stahl  
**Montagematerial:** -/-

---

**Leitungsbezeichnung:**  
**Klasse 2 - 4**  
 Klasse 2: Für hochventilatorische, statische Systeme mit Zirkulation, abwärts mit Entlüftung  
 Klasse 3: Für hochventilatorische, statische Systeme mit Zirkulation, abwärts mit Entlüftung  
 Klasse 4: Für hochventilatorische, statische Systeme mit Zirkulation ohne Entlüftung

**Schlagenergieeinstreift:**  
**Klasse 0 - 3**  
 Klasse 0: Für hochventilatorische, statische Systeme mit Zirkulation, abwärts mit Entlüftung  
 Klasse 1: Für hochventilatorische, statische Systeme mit Zirkulation ohne Entlüftung  
 Klasse 2: Für hochventilatorische, statische Systeme mit Zirkulation ohne Entlüftung  
 Klasse 3: Für hochventilatorische, statische Systeme mit Zirkulation ohne Entlüftung

**Widerstand gegen Windlast:**  
**Klasse 5 (bis 1925 Pa)**

---

**Wissenswertes:**  
 01.05.2018  
 Oberer DC  
 Oberer DC  
 Oberer DC  
 Oberer DC

*Oberer DC*  
 Oberer DC  
 Oberer DC

*Robert Kopp*  
 Oberer DC  
 Oberer DC

---

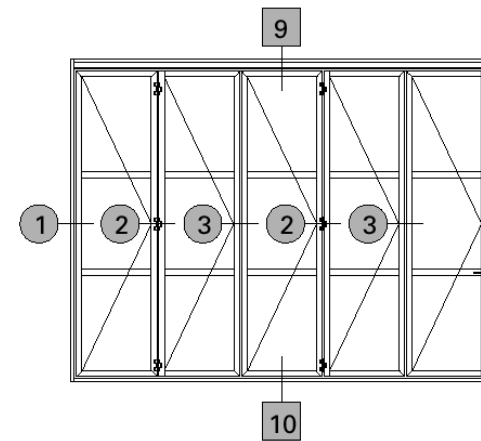
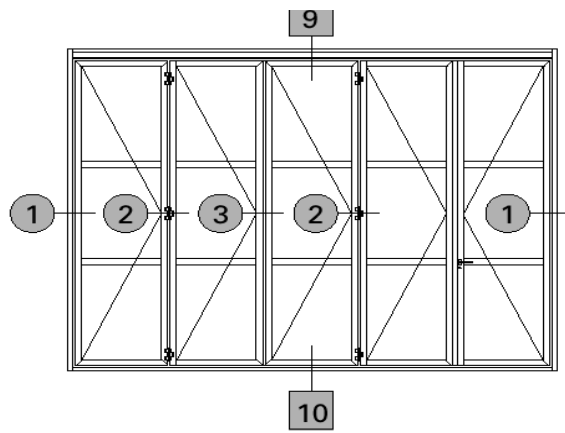
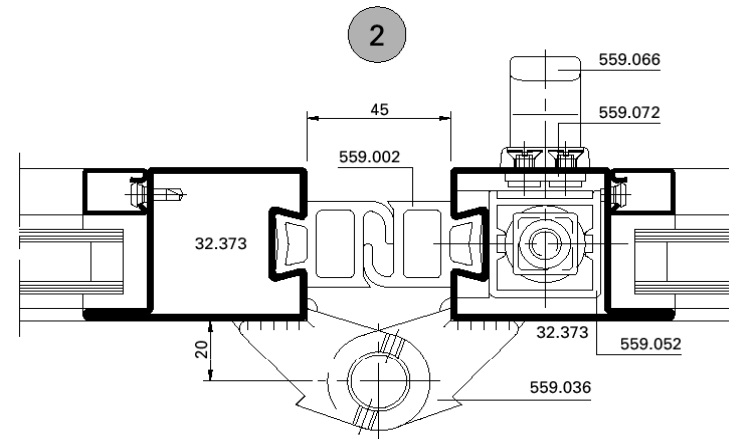
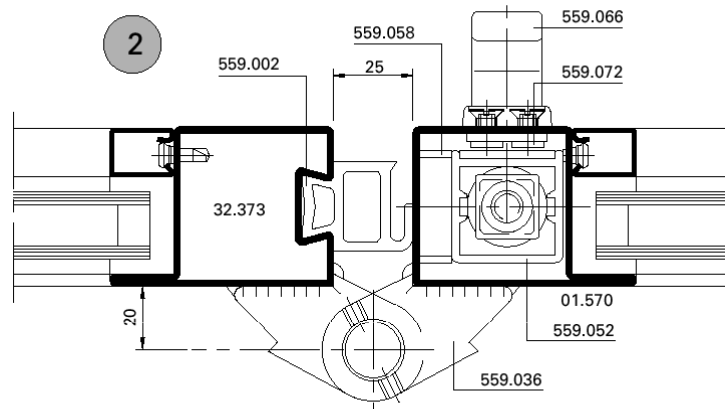
**ift**  
 Institut für  
 Bauteileprüfung  
 und  
 Bauteilprüfung

**ift**  
 Institut für  
 Bauteileprüfung  
 und  
 Bauteilprüfung

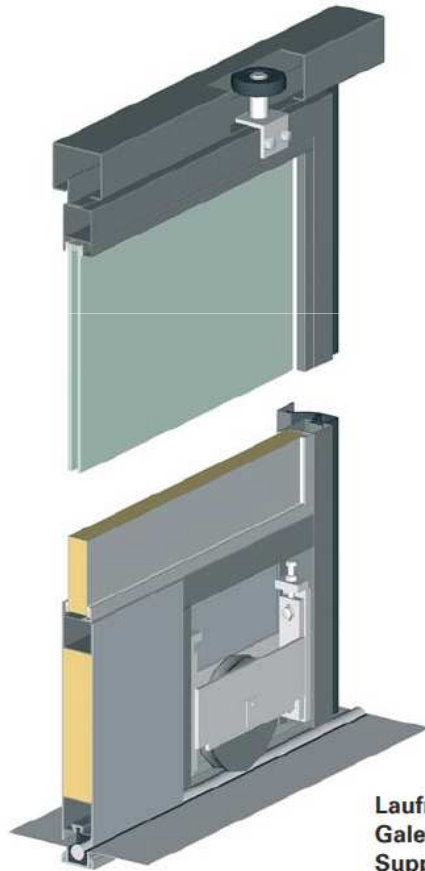
**ift**  
 Institut für  
 Bauteileprüfung  
 und  
 Bauteilprüfung



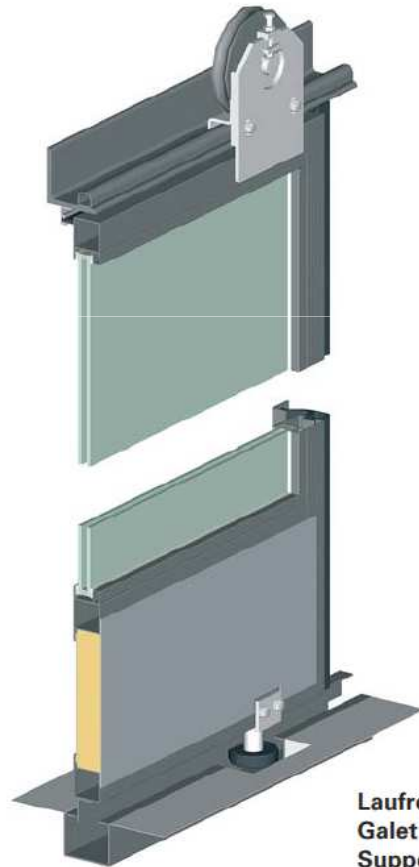
## Folding doors



## Sliding doors



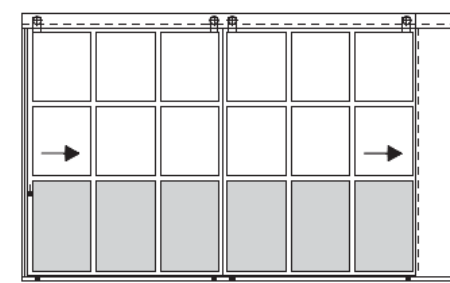
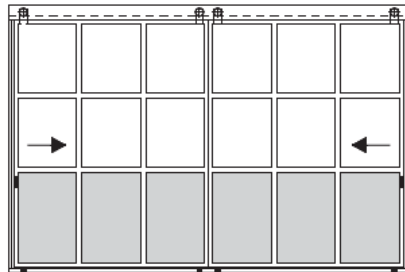
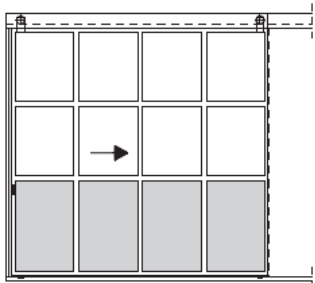
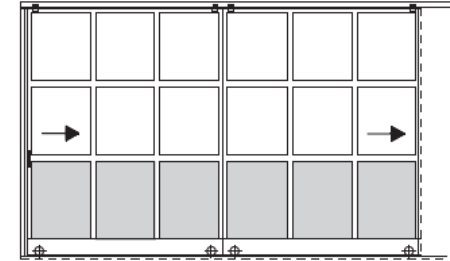
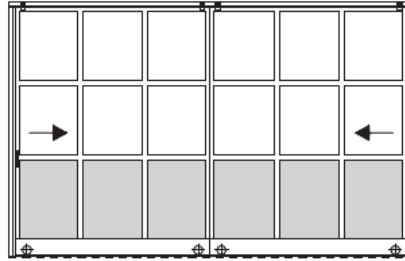
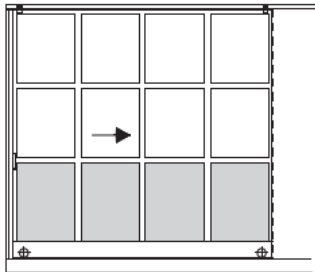
Laufrolle unten  
Galet en bas  
Support rollers at bottom



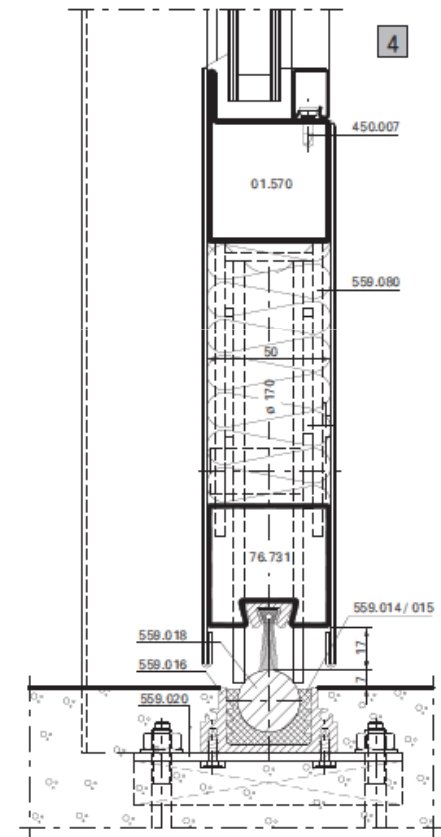
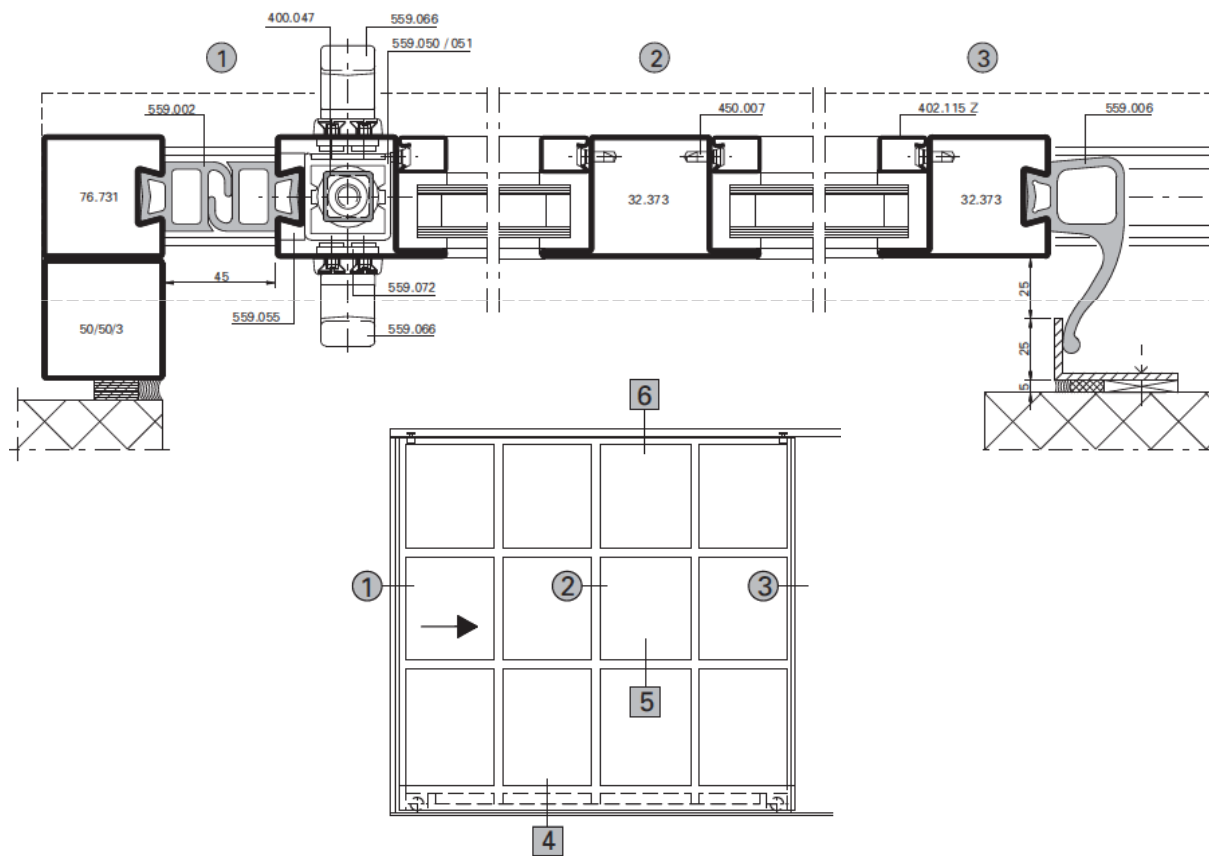
Laufrolle oben  
Galet en haut  
Support rollers at top



## Sliding doors



## Sliding doors





## Insulated profile systems

Statemuseum of Ostfriesland  
Emden (DE)

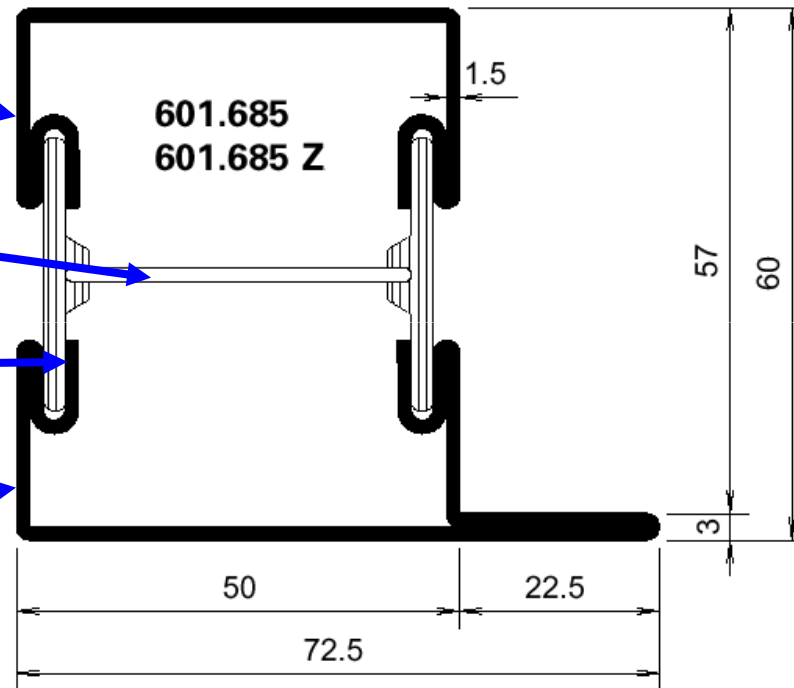
## Janisol profiles

Inner steel back profile

Aluminium cover plate

Insulating bar

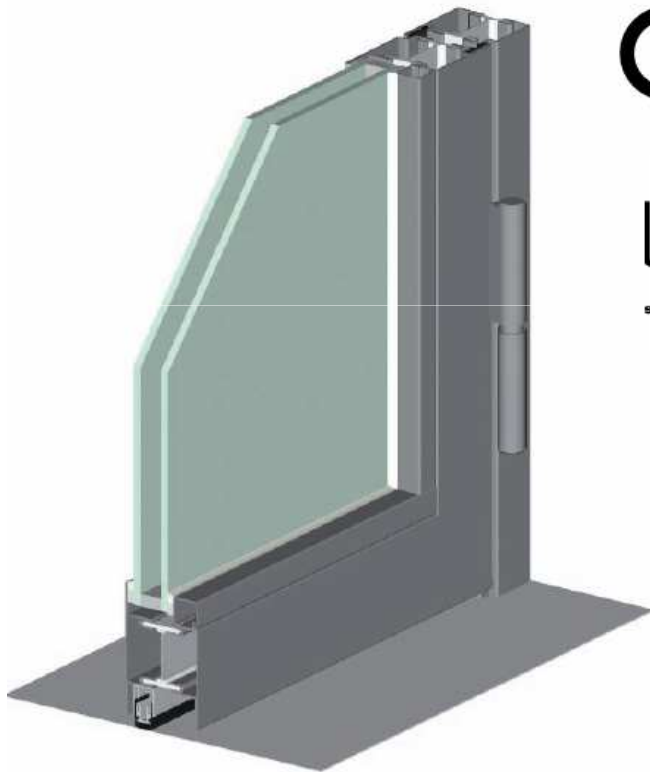
Outer steel front profile



- 601.685 : Mill finish
- 601.685 Z : Pre-galvanised steel strip (20 microns)



## Janisol doors



A 60 mm deep flush door system with double weather seals

### Thermal insulation

from  $U_f > 1,5 \text{ W/m}^2\cdot\text{K}$

### Sound insulation

to  $R_w$  45 dB

### Burglar resistance

WK1-WK3

### Bullet proofing

FB 4 – FB6 NS

### Maximum size and weight

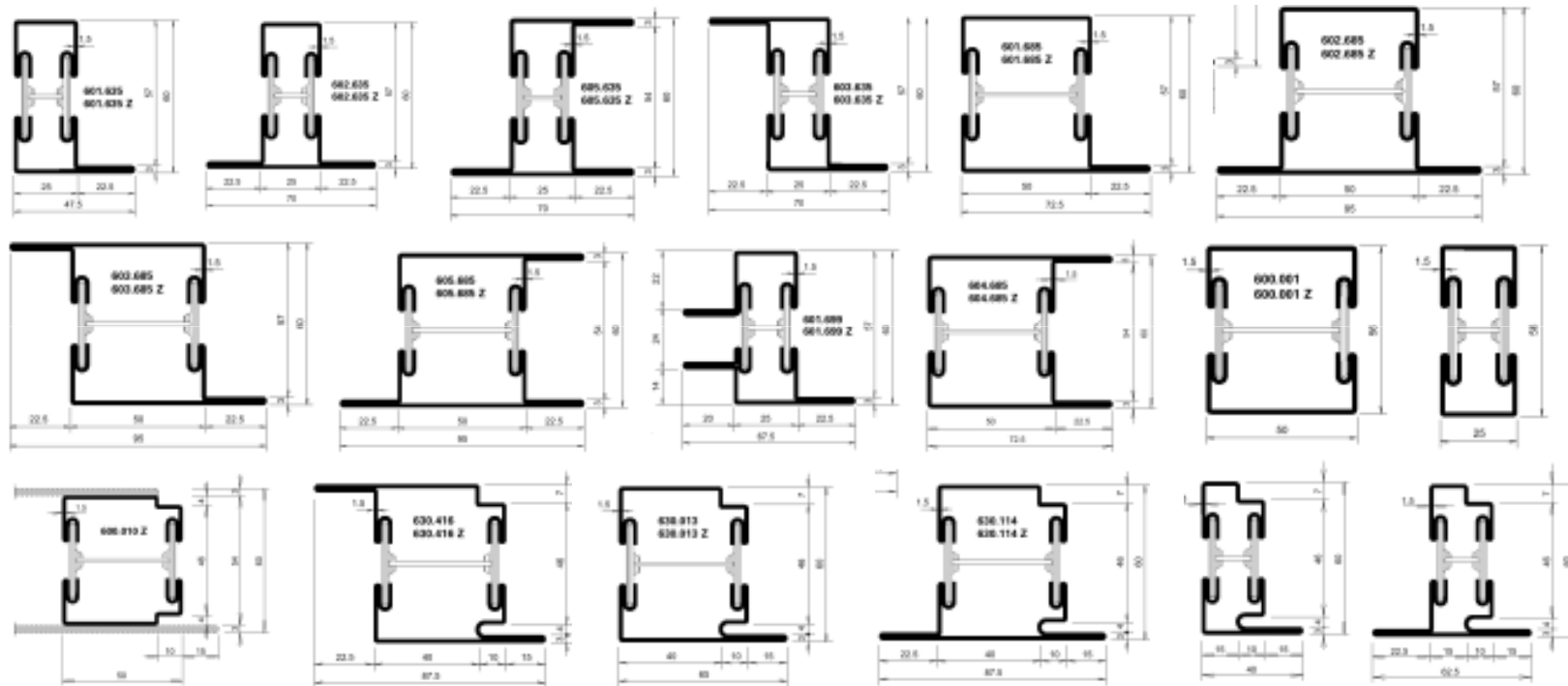
Vent width (1): 1300 mm

Vent height: 2800 mm

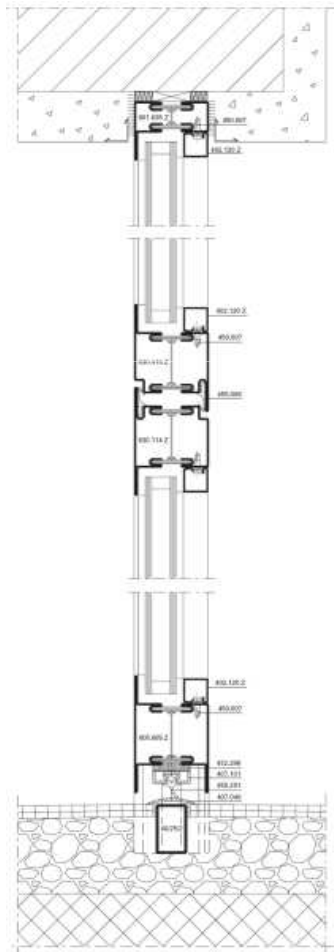
Vent weight: after table \*



## Janisol profiles



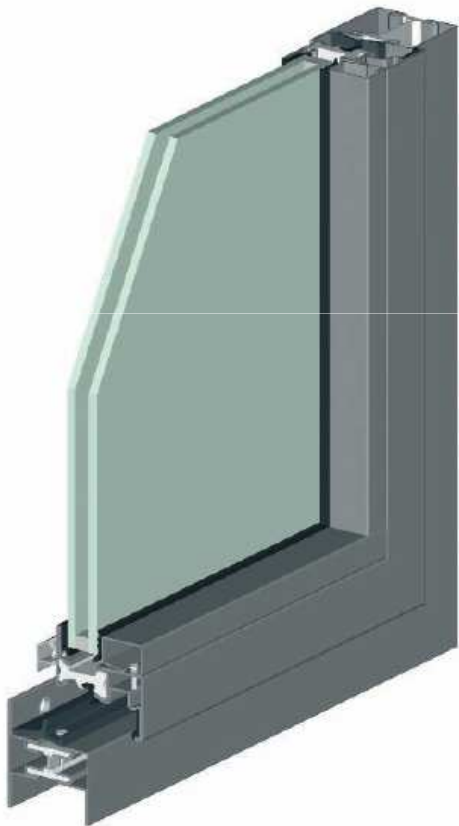
## Example Janisol door



Hotel Colosseo  
Europa Park Rust (DE)



## Janisol windows



Inward incorporating pening  
turn/tilt windows multi-point locking

### Thermal insulation

from  $U_f > 1,5 \text{ W/m}^2\cdot\text{K}$

### Sound insulation

to  $R_w$  45 dB

### Burglar resistance

WK1-WK3

### Bullet proofing

FB 4 NS

### Maximum size and weight

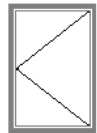
Vent width (1): 1475 mm

Vent height: 2300 mm

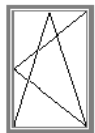
Vent weight: 130 kg



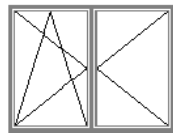
## Janisol windows



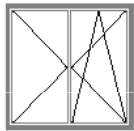
Drehflügel  
Fenêtre à la française  
Side-hung window



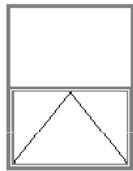
Drehkipp-Flügel  
Vantail oscillo-battant  
Turn-tilt window



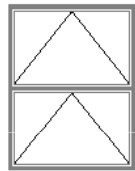
Drehkipp/Dreh-Flügel  
Vantail oscillo-battant/fenêtre à la française  
Side-hung/turn-tilt window



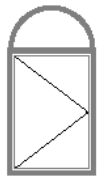
Stulpfenster  
Fenêtre à deux vantaux  
Double-leafed window



Kippflügel mit festem Oberlicht  
Fenêtre à soufflet avec imposte fixe  
Bottom-hung window with fixed top light



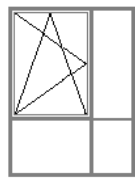
Kippflügel  
Fenêtre à soufflet  
Bottom-hung window



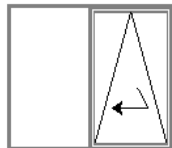
Einfügeliges Fenster mit Rundbogen-Oberlicht  
Fenêtre à la française avec imposte demi-rond  
Side-hung window with round arched top light



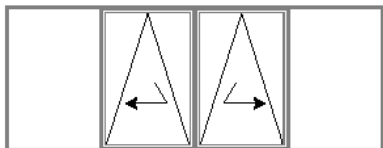
Zweiflügeliges Fenster mit Stichbogen-Oberlicht  
Fenêtre à deux vantaux avec imposte en arc bombé  
Double sash window segmental arched top light



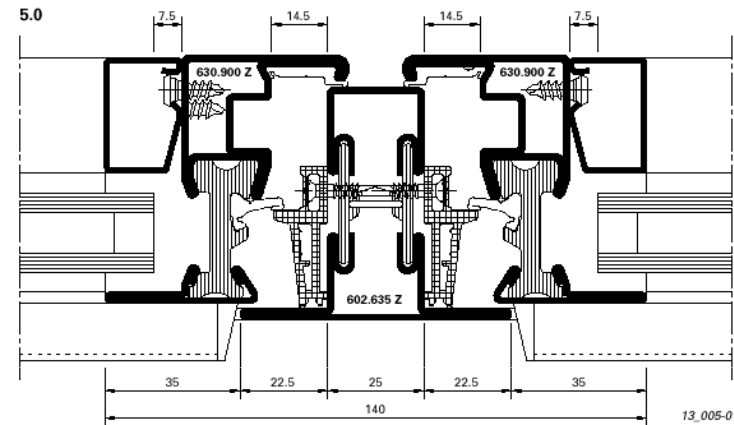
Fenster Drehkipp mit Festverglasung  
Vantail oscillo-battant avec vitrage fixe  
Window, turn-tilt with fixed lights



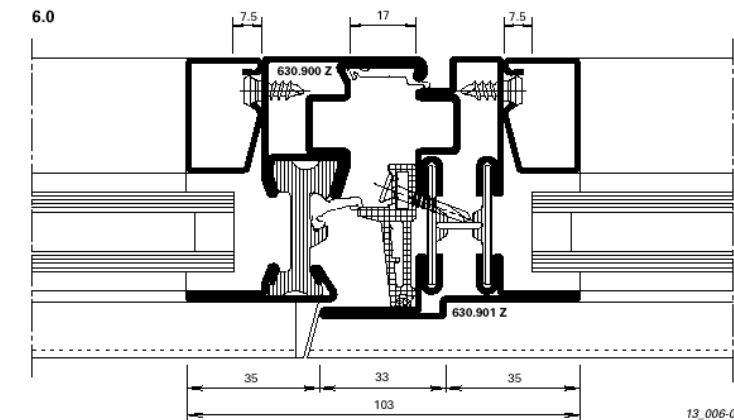
Parallel Abstell-Schiebekipp-Fenstertüre (PASK)  
Porte fenêtre à soufflet coulissant parallèle (PASK)  
Parallel tilt-slide patio door (PASK)



Parallel Abstell-Schiebekipp-Fenstertüre (PASK) 2-flügelig mit Zwischenposten  
Porte fenêtre à soufflet coulissant parallèle (PASK) à 2 vantaux avec poteaux intermédiaire  
Parallel tilt-slide patio door (PASK), double-leafed with intermediate mullion



13\_005-0

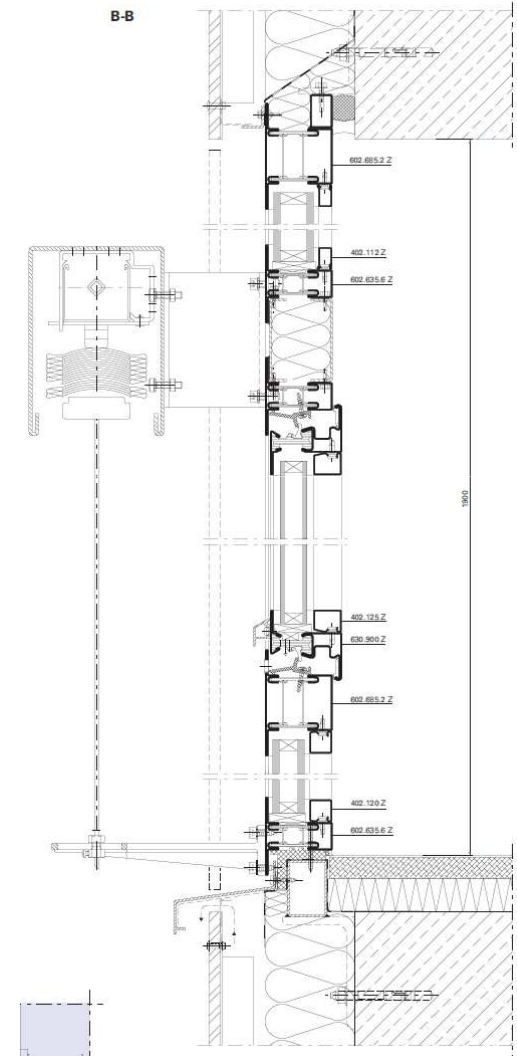
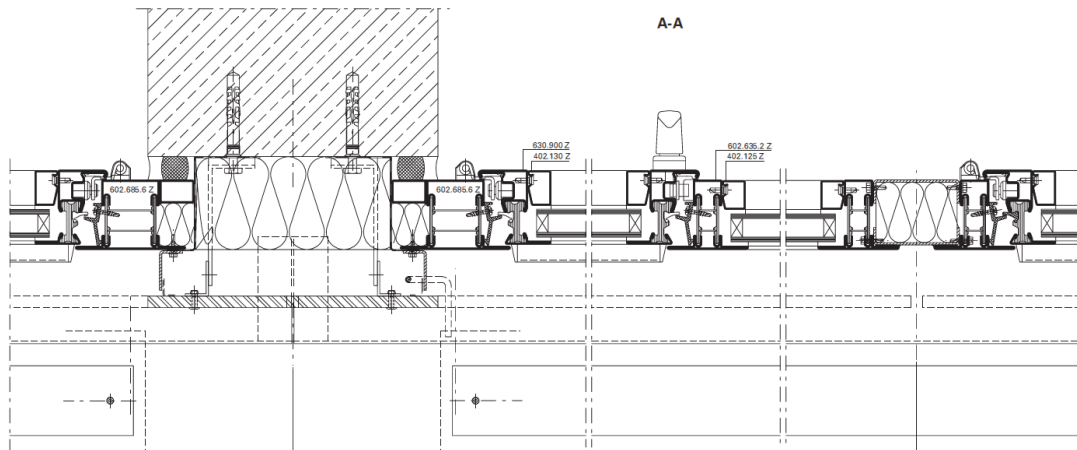


13\_006-0

## Example with Janisol windows



University Stuttgart  
(Germany)





## Janisol primo windows



A 60 mm deep flush door system with double weather seals

### Thermal insulation

from  $U_f > 1,5 \text{ W/m}^2\cdot\text{K}$

### Sound insulation

to  $R_w$  45 dB

### Burglar resistance

WK1-WK3

### Bullet proofing

FB 4 – FB 6 NS

### Maximum size and weight

Vent width (1): 1475 mm

Vent height: 2300 mm

Vent weight: 130 kg



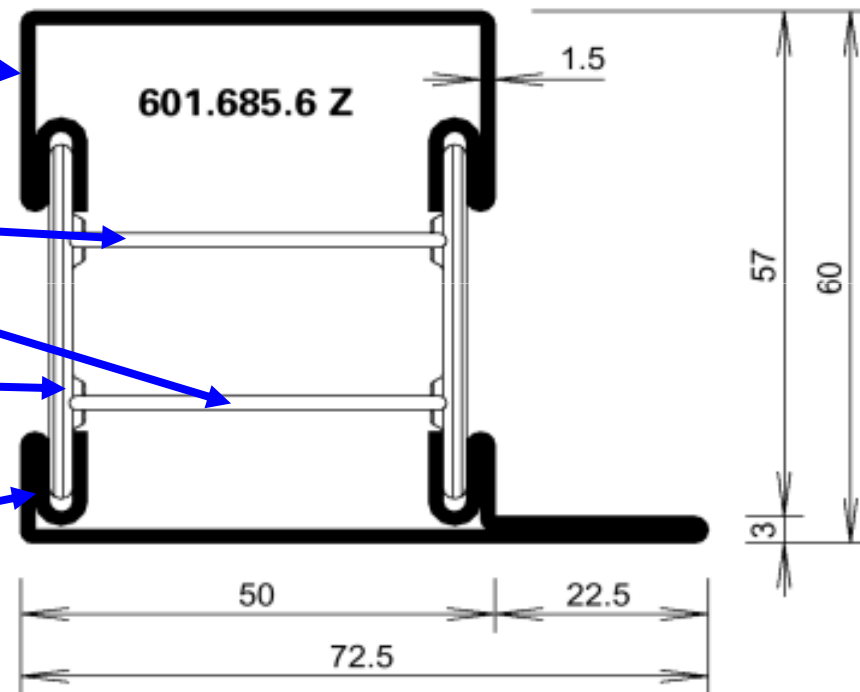
# Janisol primo windows

Inner steel half profile

Aluminium dividers

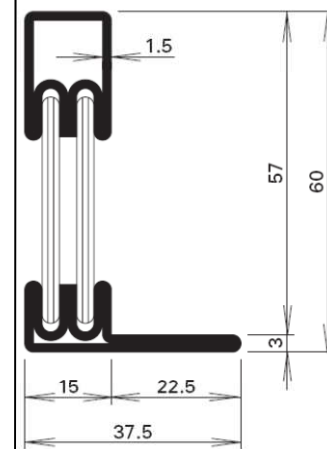
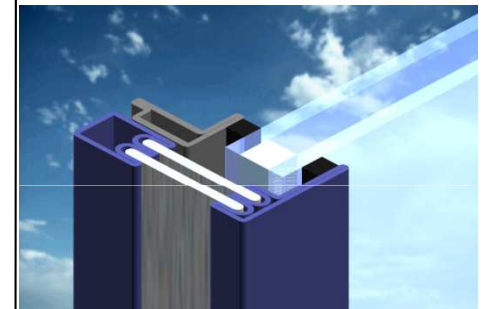
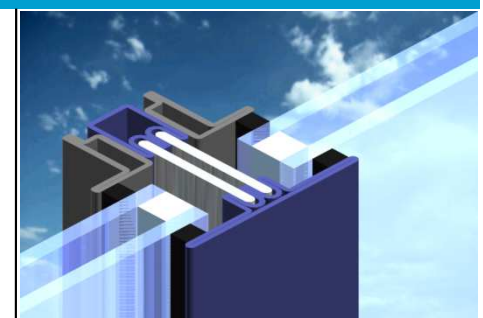
Insulating bar

Outer steel half profile



## RENOVATION WINDOW Elegant Designs in Steel

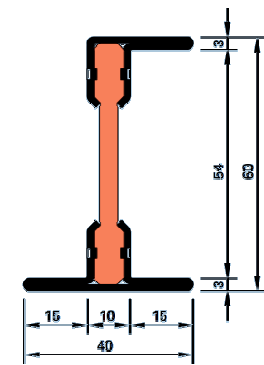
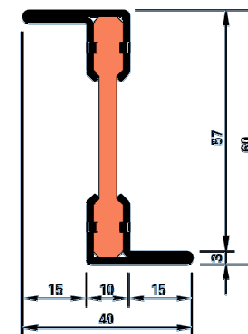
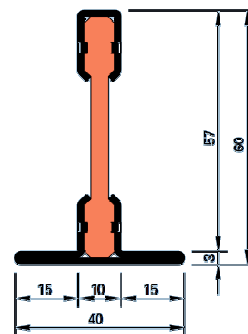
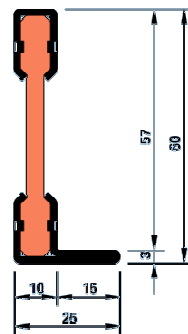
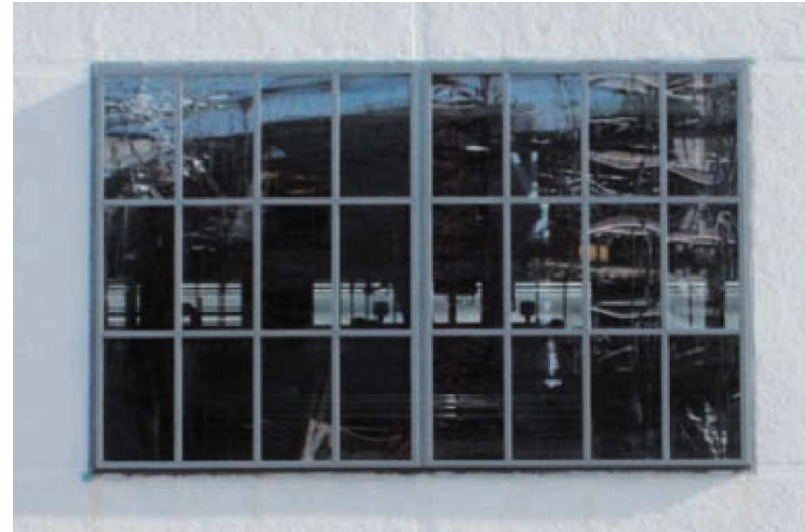
- Janisol Profiles with 15mm innerbox
- Robust Profile for slim sightlines
- Increased Transparency
- High Performance Insulators for latest european norms
- Compatibility Janisol and Janisol primo



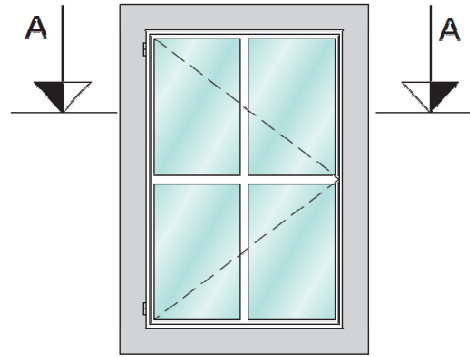
## Janisol Arte

### Characteristics:

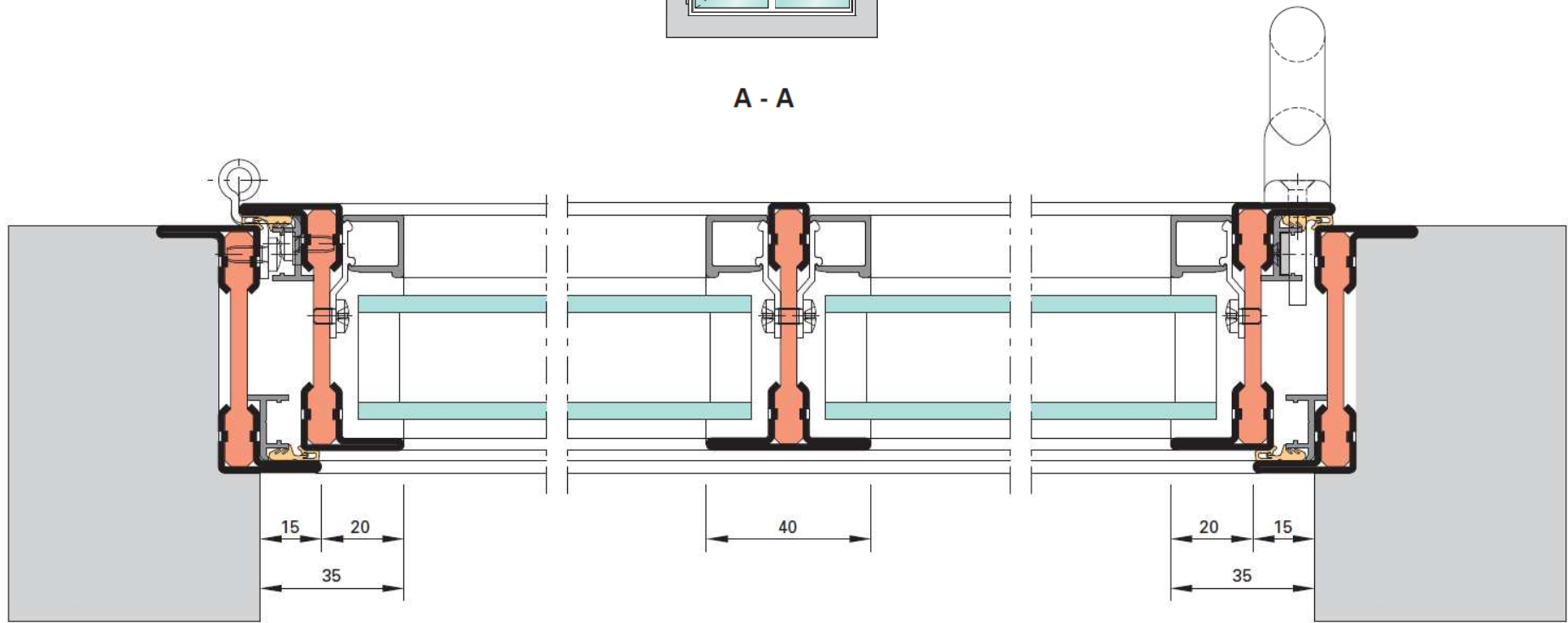
- Thermal insulation/ PUR heat insulation
- Profile dept 60 mm
- Viwe width of 25m + 40mm
- Suited for insulated glasses/ double glasses
- For old industrial plants renovations, slim design
- Different opening types



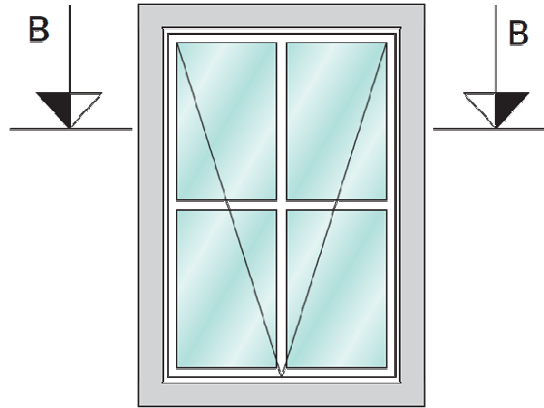
Inward opening:



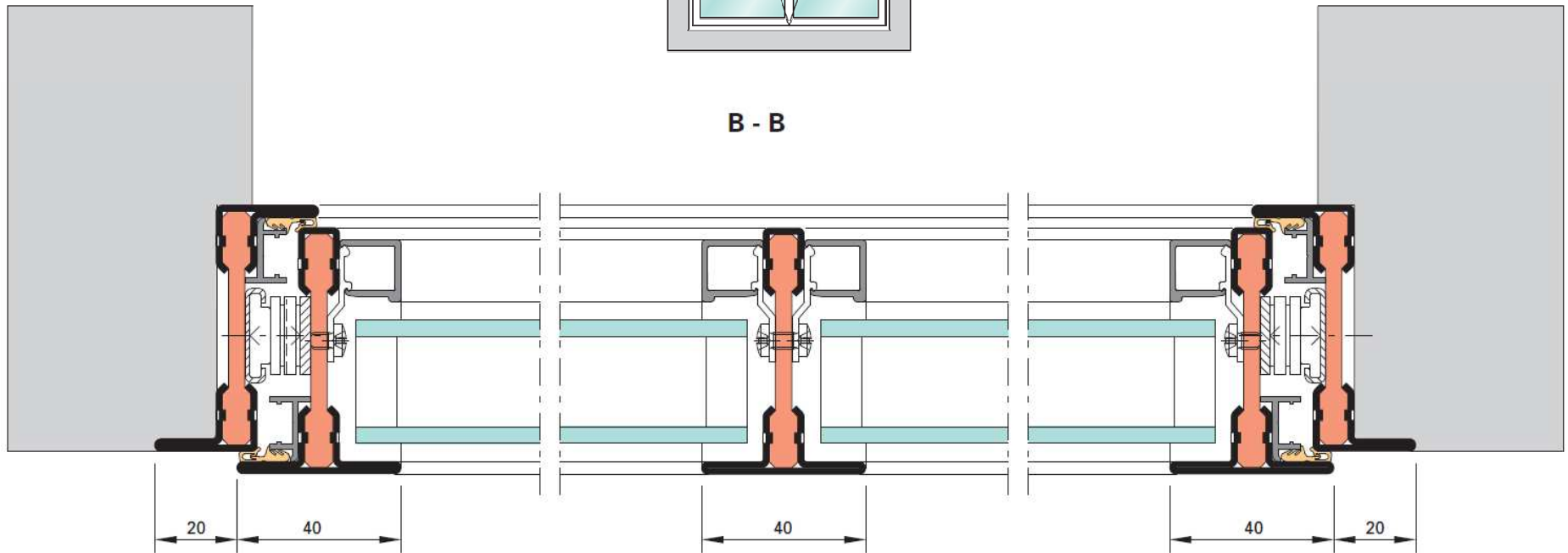
A - A



Outward opening:

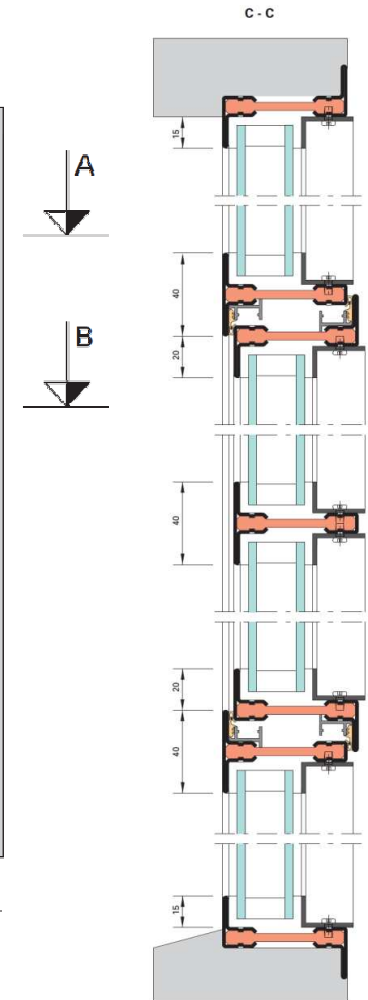
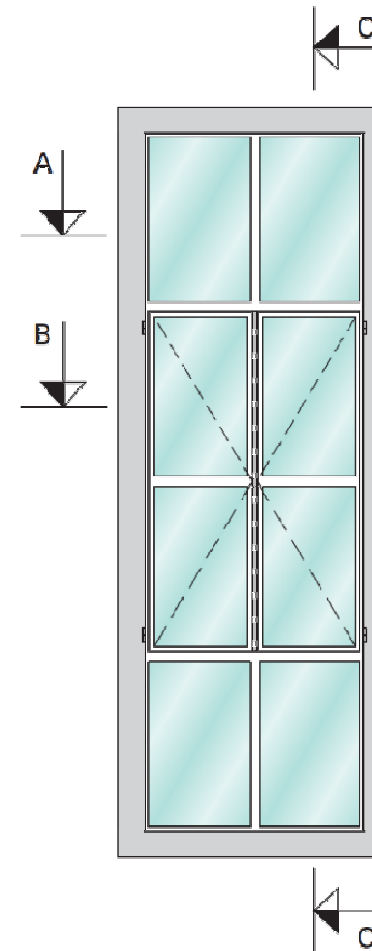
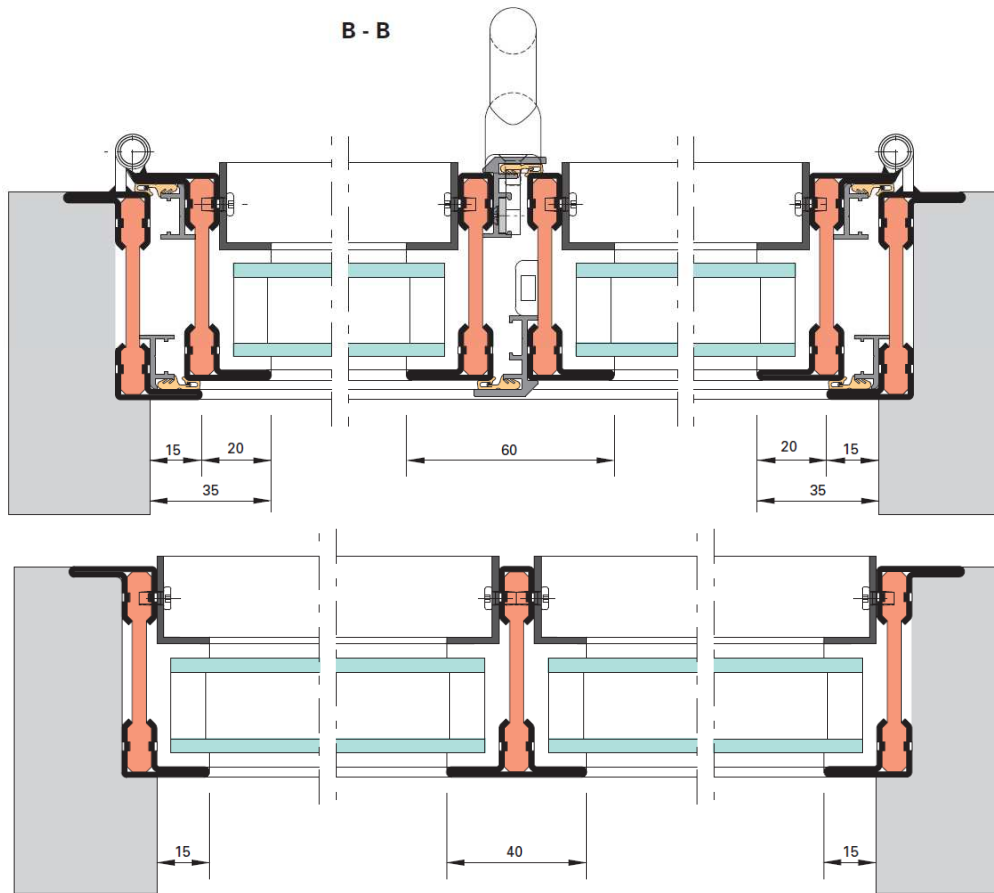


B - B





## Double leaf window



## Janisol Arte realised project



**Project:** Church in Aidenbach, Germany

## Janisol Arte realised project



**Project:** Shop a Rembrandtplein, Amsterdam



## Janisol Arte realised projects



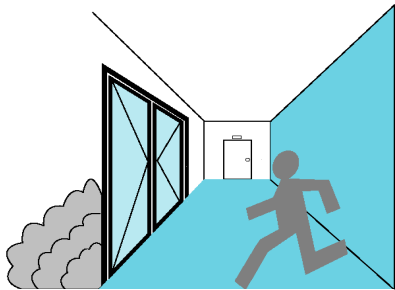
**Project:** Regent Street, London



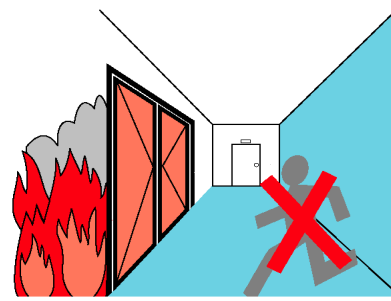
## Fire rated systems

Office building of  
polish television  
Warsaw (PL)

# Fire protection - classification



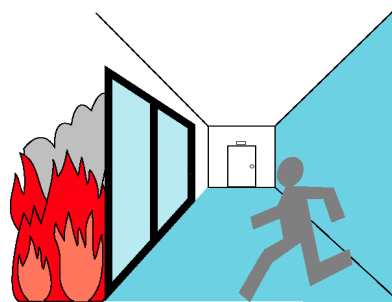
**S (RS)**



**E30 (R30)**



**E30 (G30)**



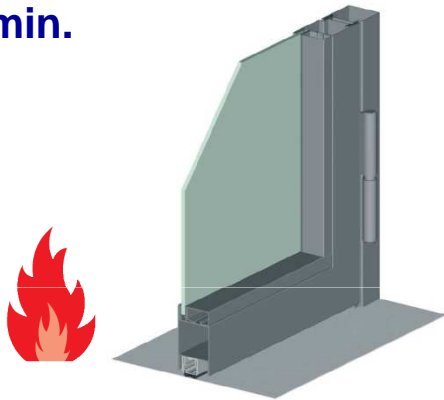
**EI30 / EI60 / EI90**



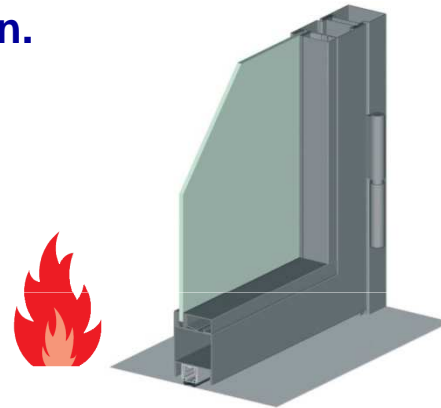
**EI30 / EI60 / EI90**

## Fire protection - systems

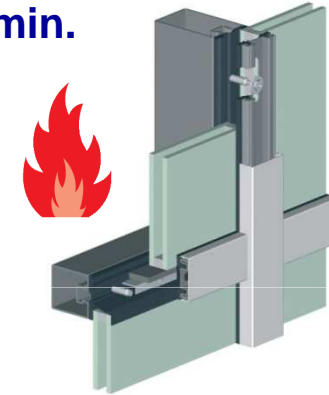
**Economy 50**  
**30min.**



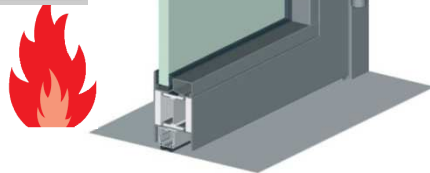
**Economy 60**  
**30min.**



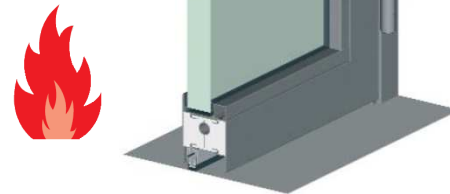
**VISS Fire**  
**30-90min.**



**Janisol 2**  
**30min.**



**Janisol C4**  
**60min.**



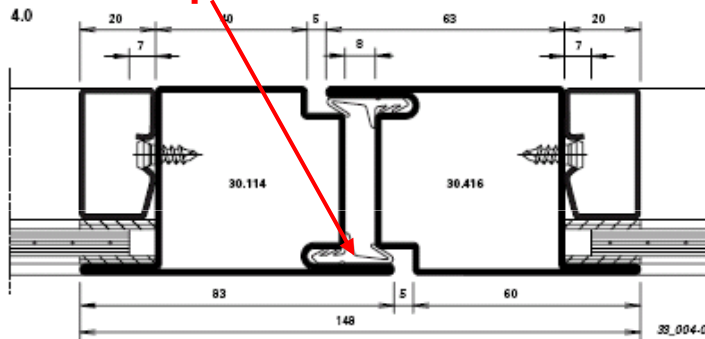
**Janisol C4**  
**90min.**



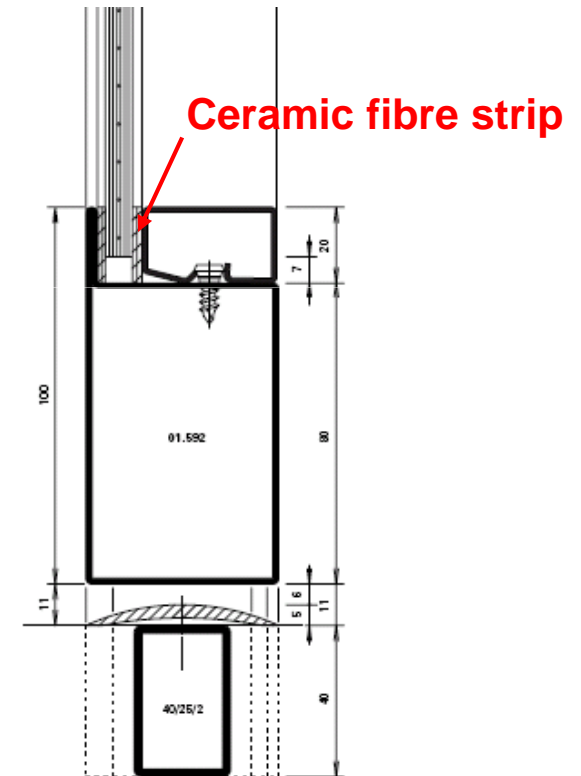


Fire protection - systems

**Flame retardant weatherstrip** Economy 50+60 **E30**

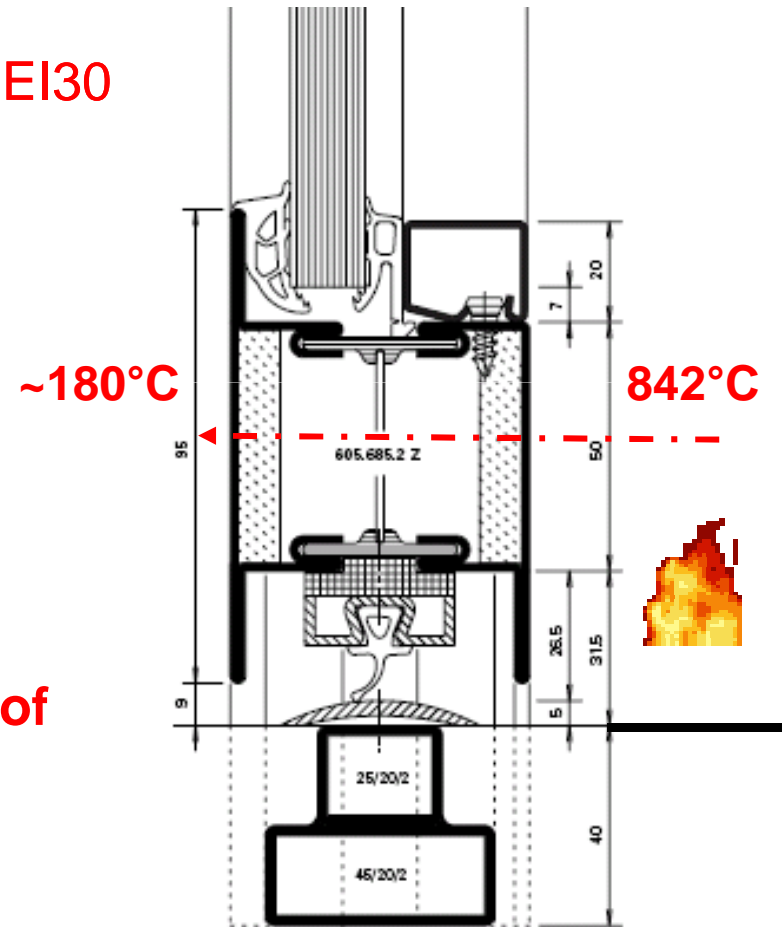
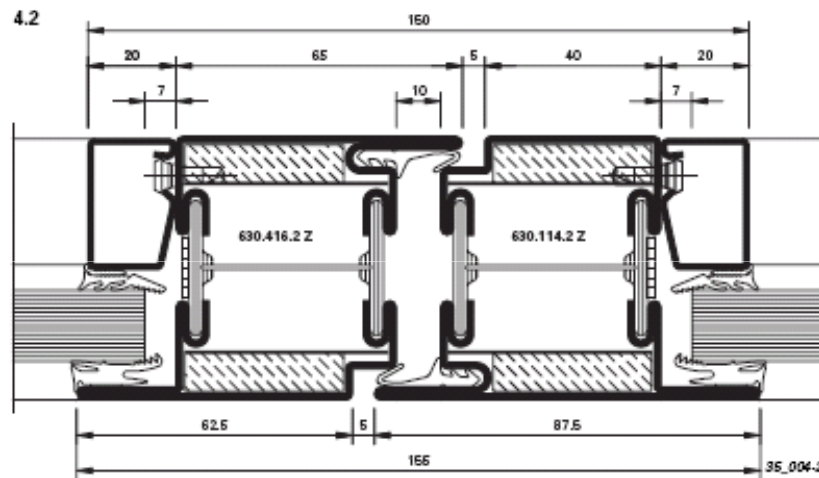


**An E30 door resists 30 minutes to the fire. The heat can pass, but the E30 door keeps back the flames and the smoke.**



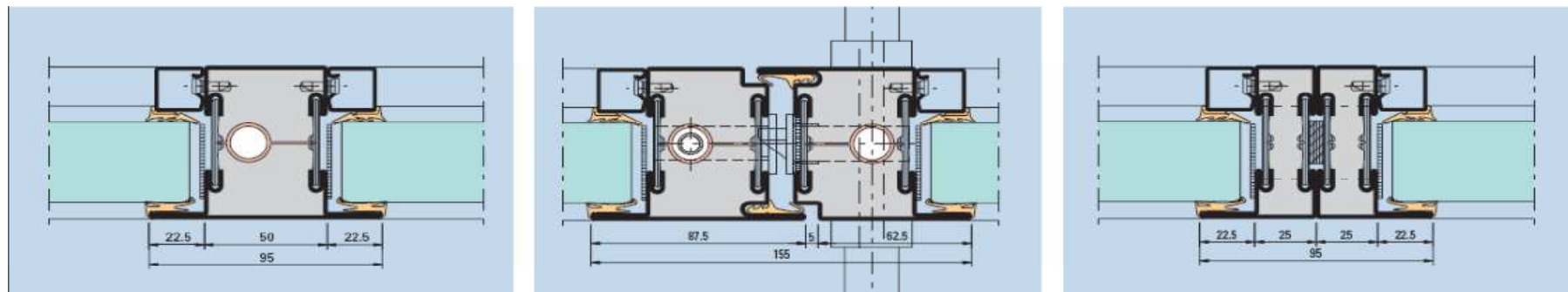
Fire protection - systems

Janisol 2 EI30



**EI elements avert an encroachment of the fire (flames) and the heat to the opposite side of the fire during the approved time.**

## Fire protection - systems      Janisol 4    EI60/90



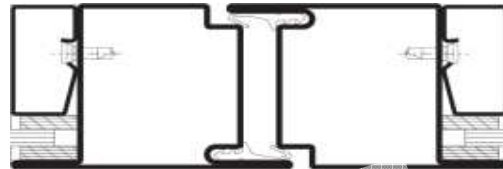
### Characteristics:

Depth	70 mm
Sight line	identic Janisol systemes
Application	EI90
Equipment	cable channel for motorisation

## 5 systems – 1 same front view



Economy 50



Economy 60



30min.

Janisol 2



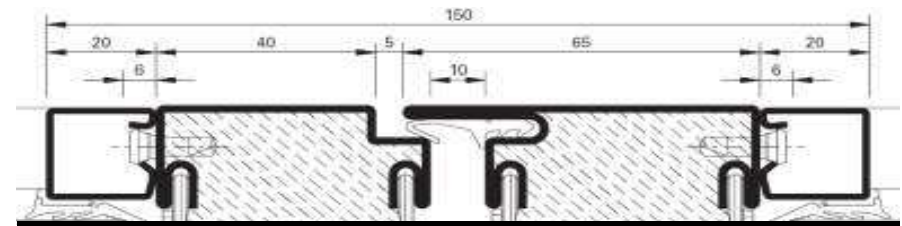
60min.

Janisol 3



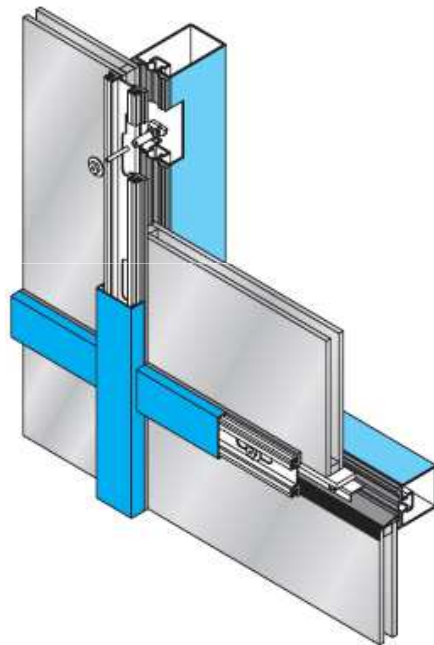
90min.

Janisol C4

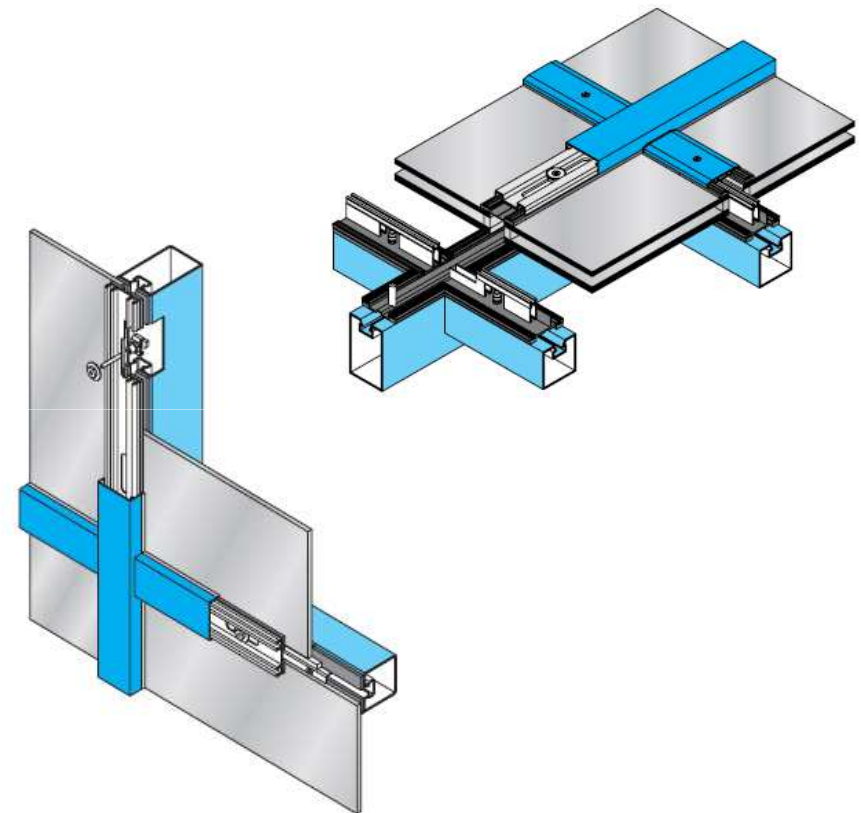


- 5mm shadow gap
- 20mm glazing bead width
- same appearance for different requirements

Fire protection - systems



**VISS Fire TV**  
**EI30 / EI60 / EI90**



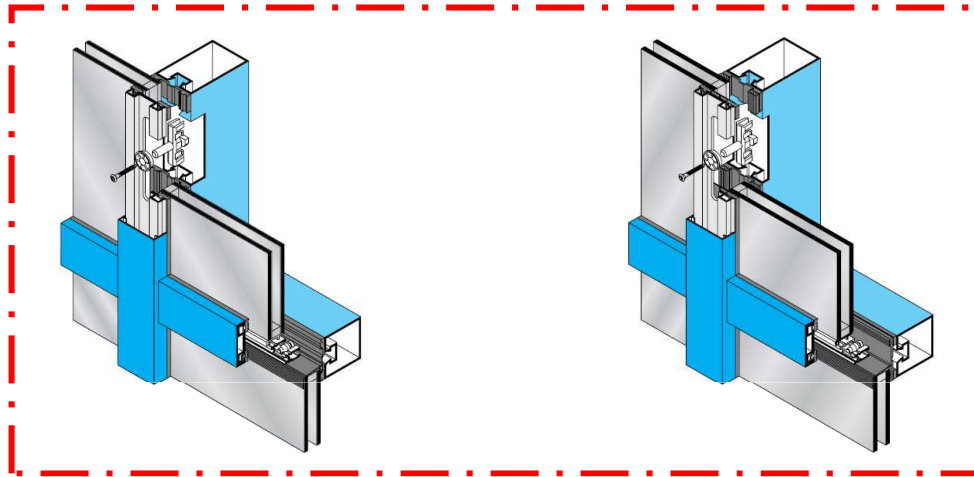
**VISS Fire TVS/DVS**  
**E30 / E60 / E90**

VISS for the glass architecture



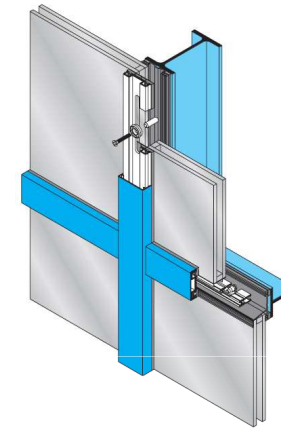


Curtain wall systems



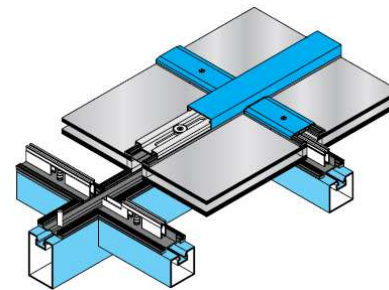
**VISS TV**

**VISS TVS**

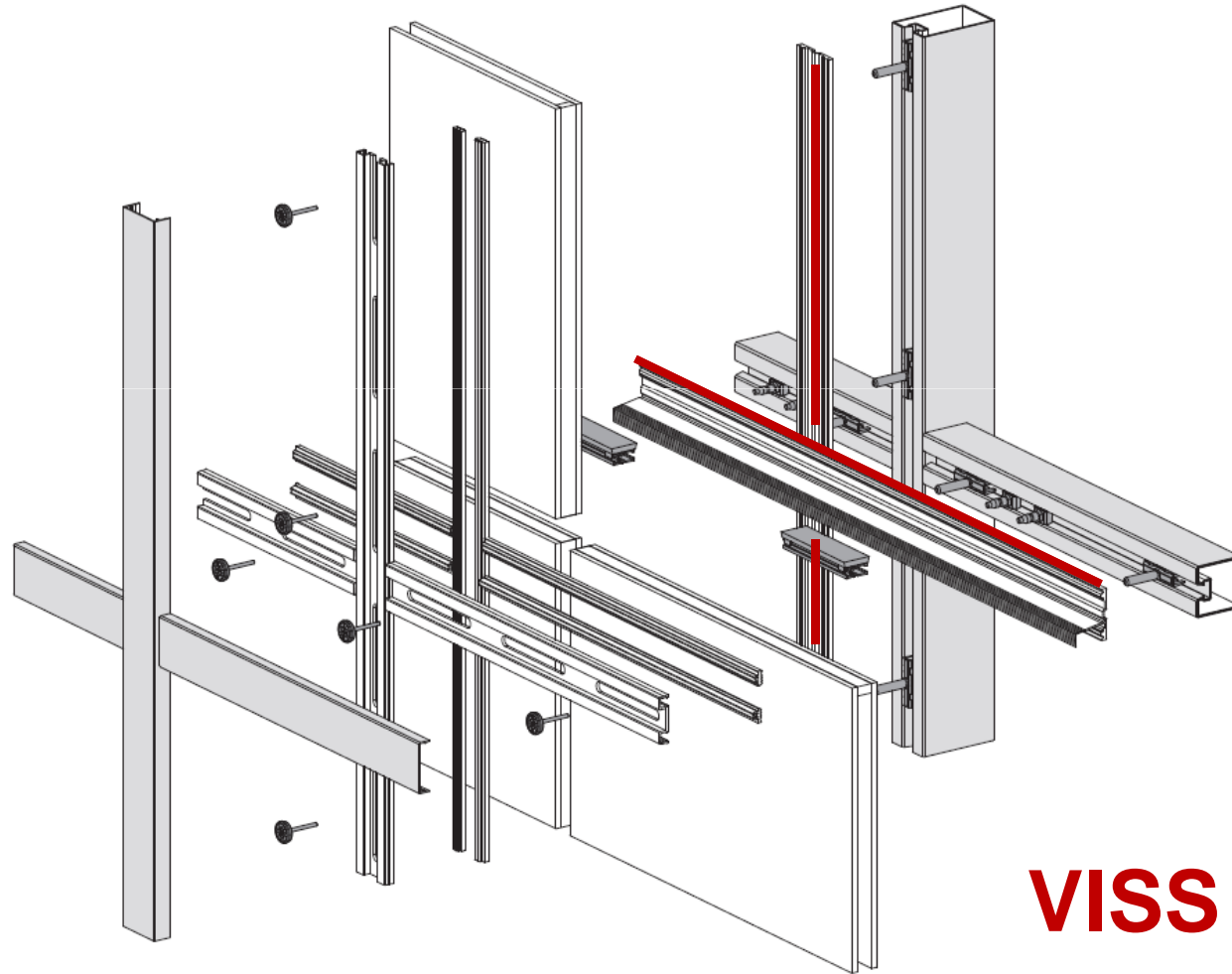


**VISS Basic  
TV / TVS**

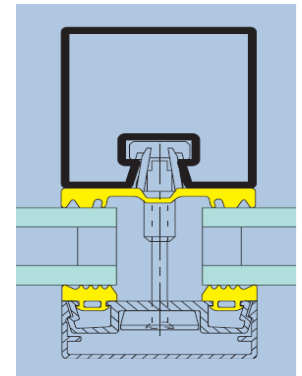
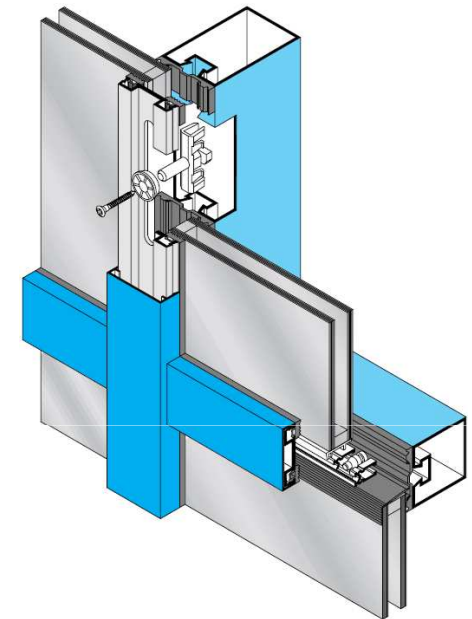
**VISS TVS  
(sloping)**



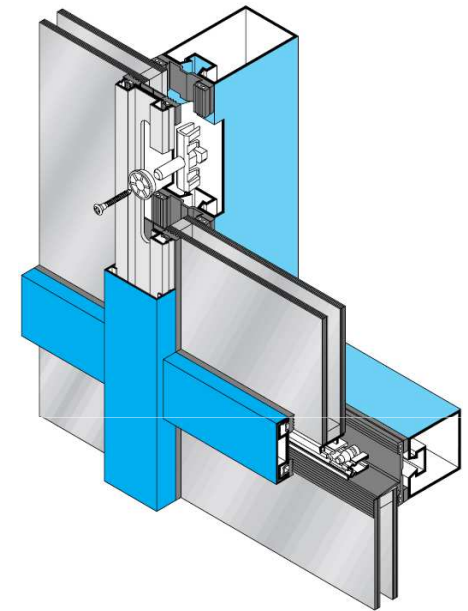
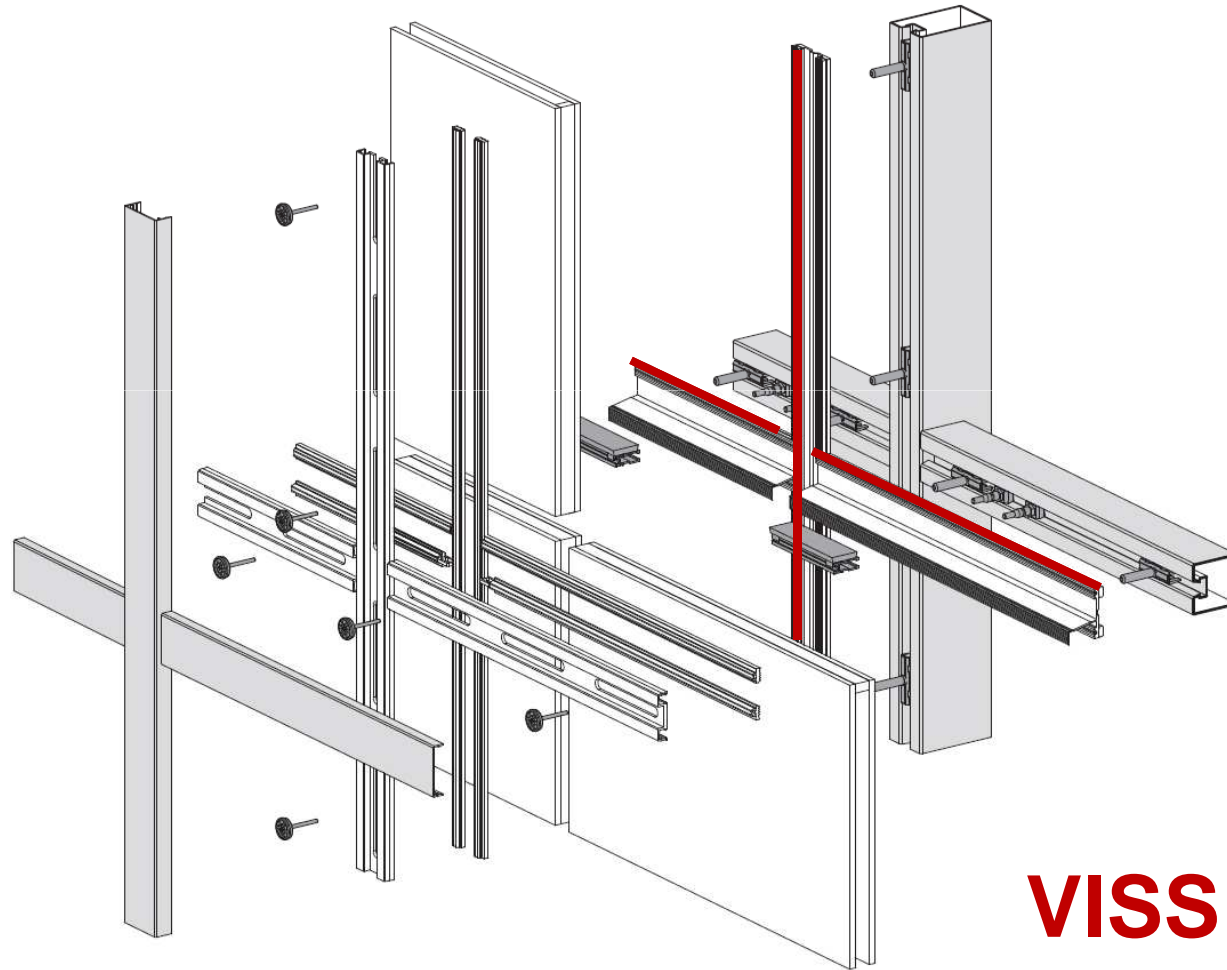
## System description



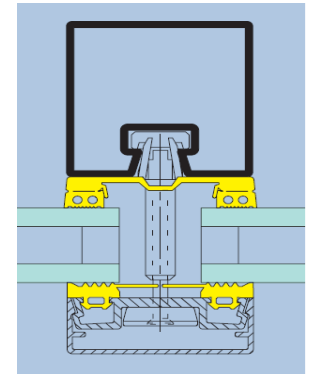
**VISS TV**



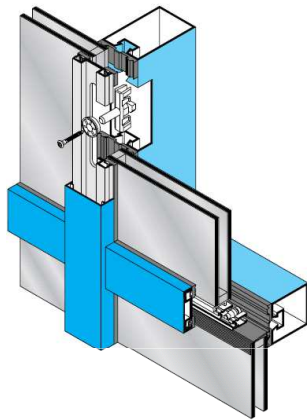
## System description



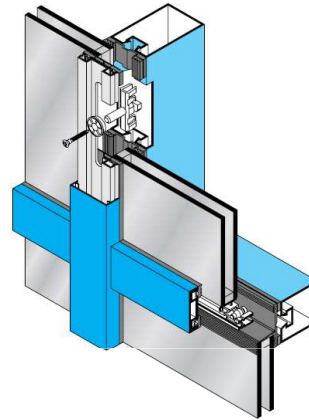
**VISS TVS**



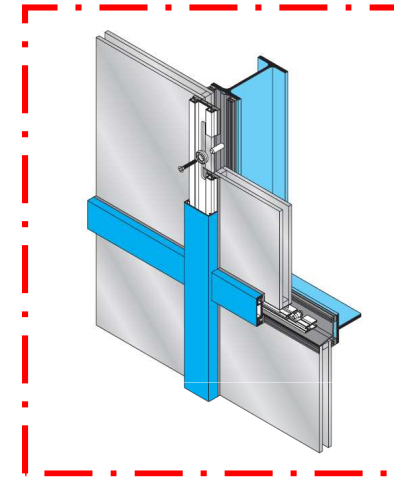
Curtain wall systems



**VISS TV**

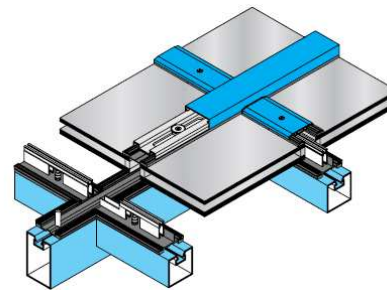


**VISS TVS**



**VISS Basic  
TV / TVS**

**VISS TVS  
(sloping)**

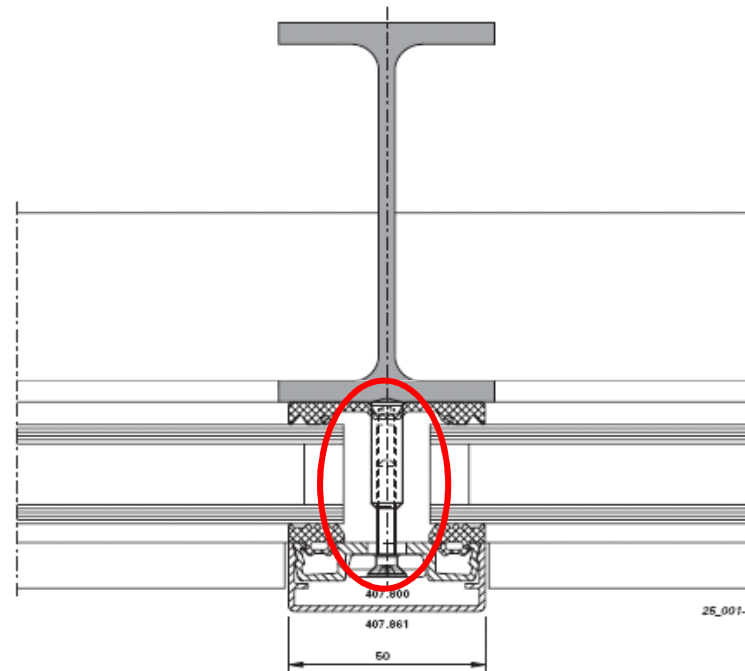


## Curtain wall systems – VISS Basic

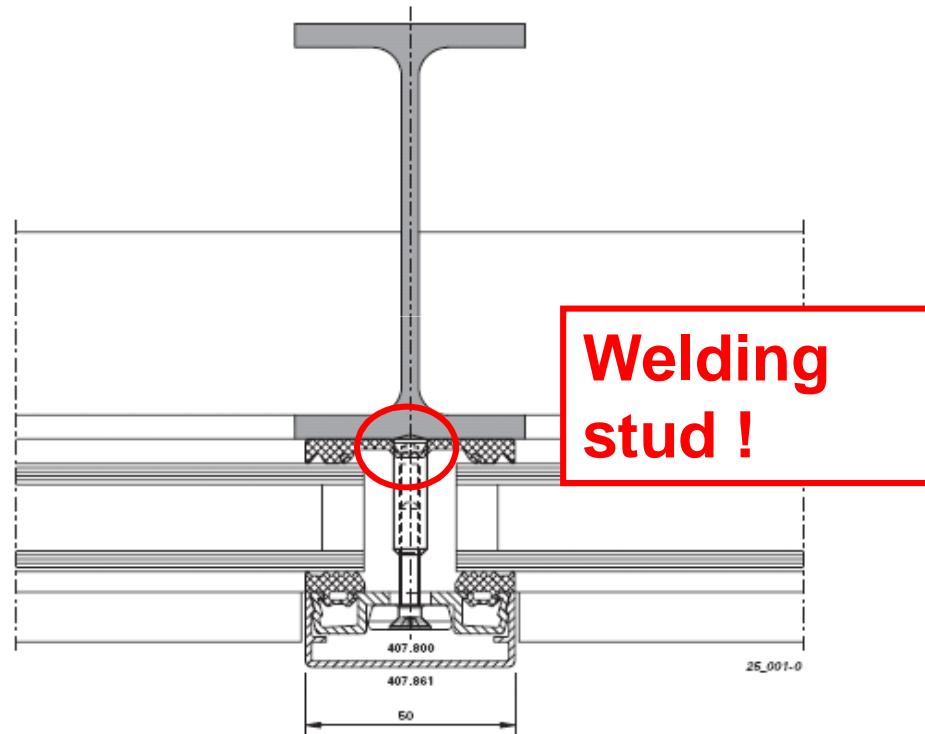
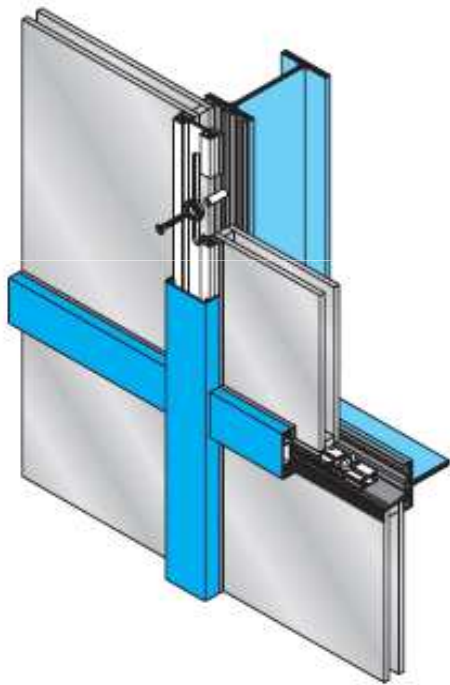
### VISS Basic



**For the VISS Basic System any supporting structure/pillar can be chosen!!**



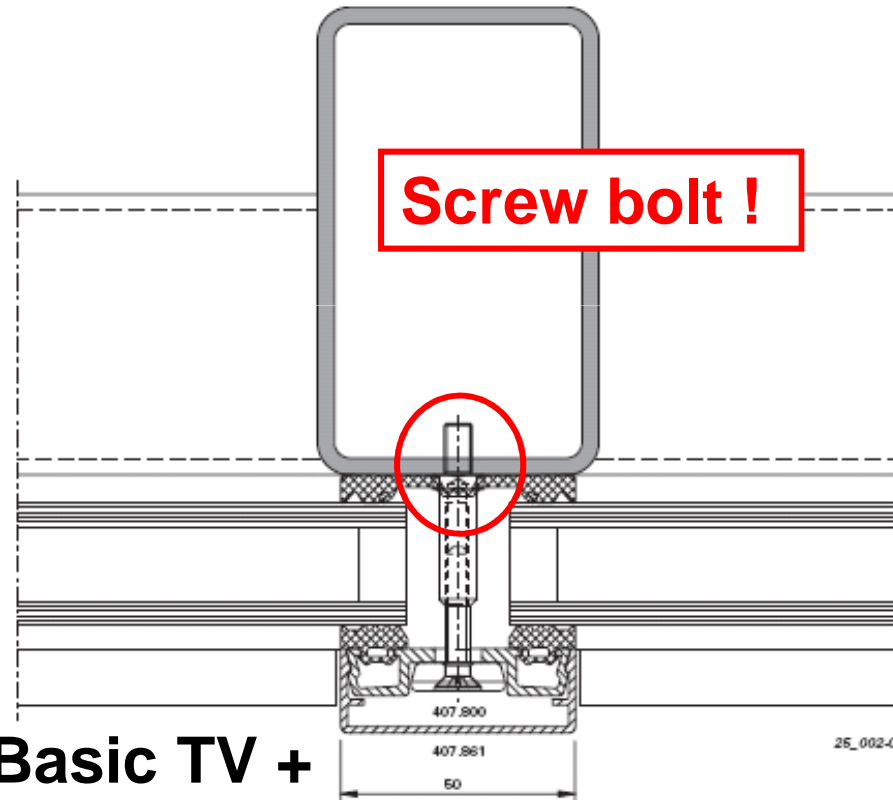
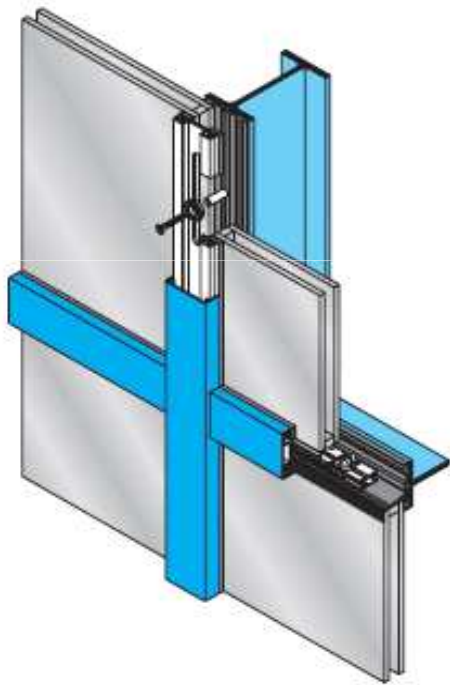
# Curtain wall systems – VISS Basic



**VISS Basic TV +  
TVS**

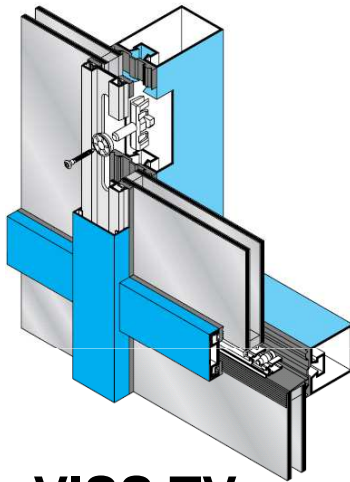


# Curtain wall systems – VISS Basic

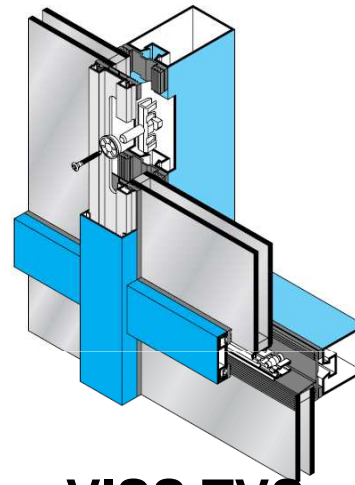


**VISS Basic TV + TVS**

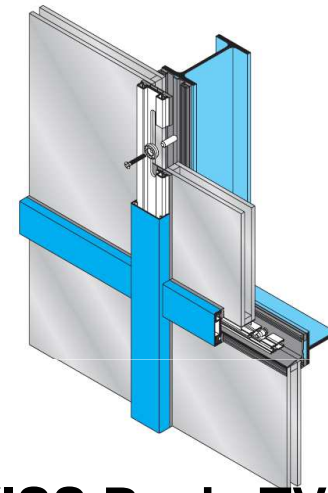
Curtain wall systems



**VISS TV**

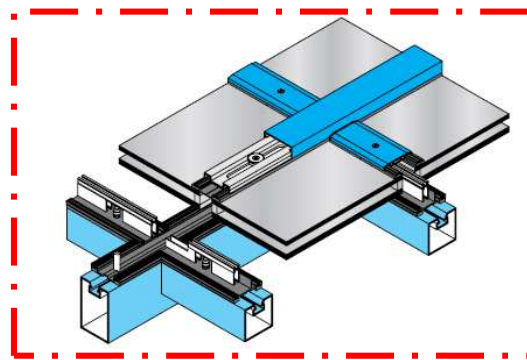


**VISS TVS**

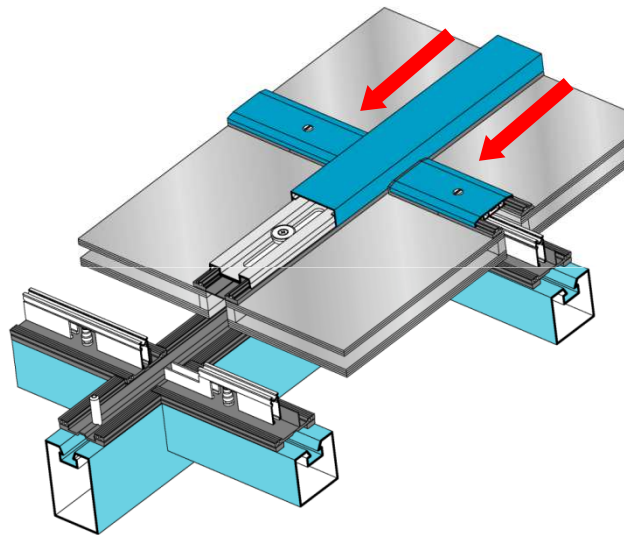


**VISS Basic TV /  
TVS**

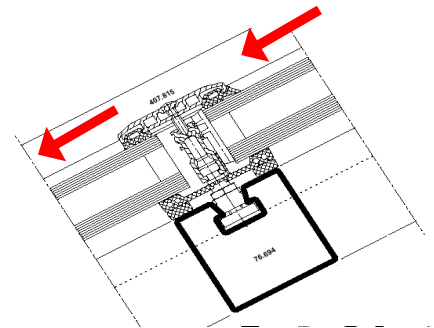
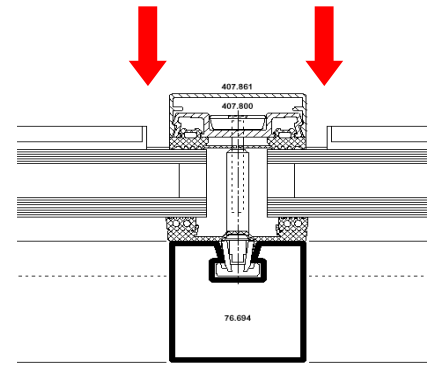
**VISS TVS (sloping)**



# Curtain wall systems – VISS TVS sloping



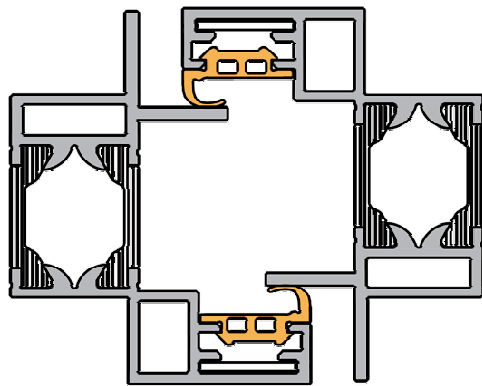
**VISS TVS  
(sloping)**



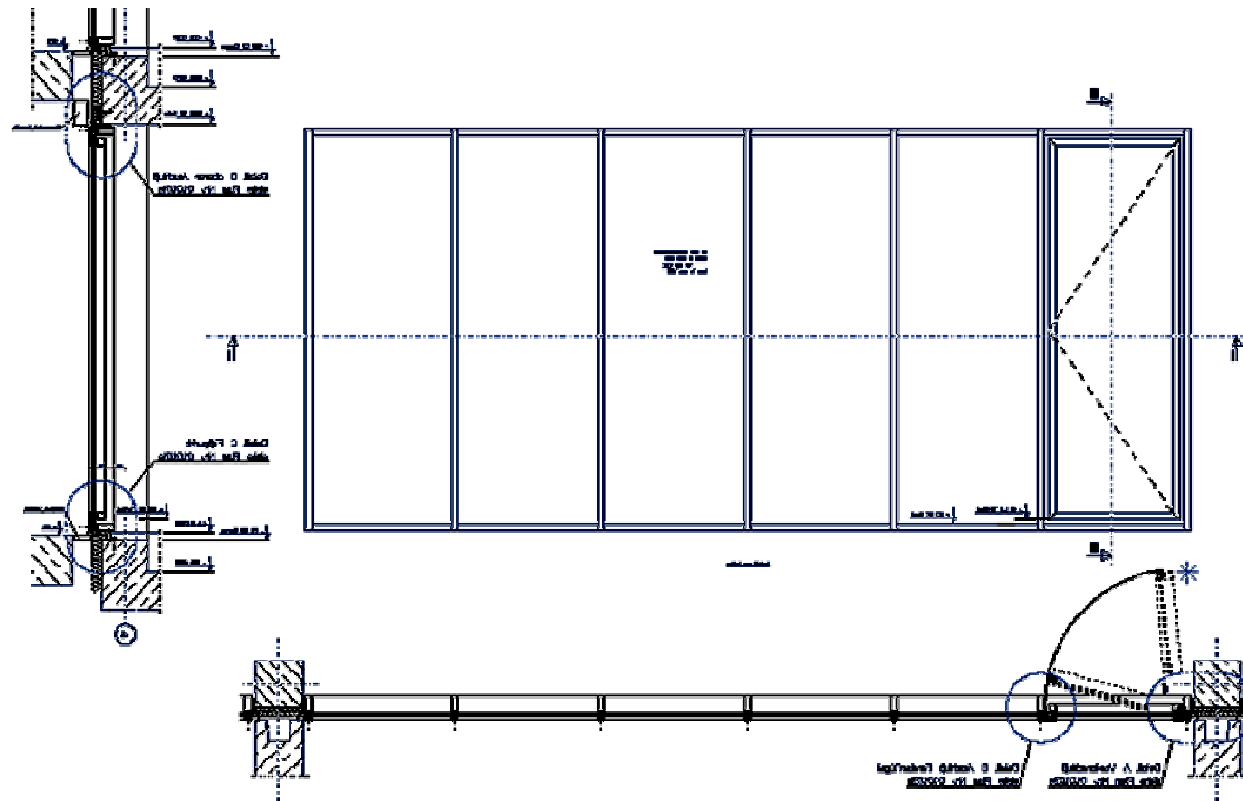
Curtain wall systems – VISS TVS sloping



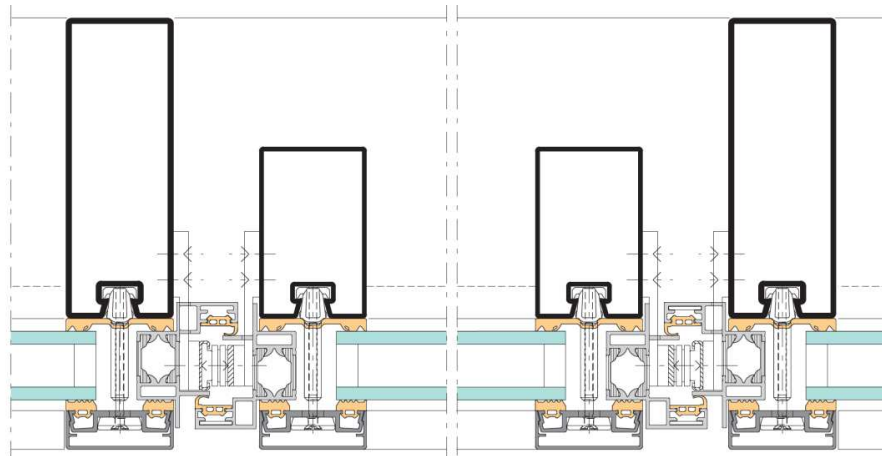
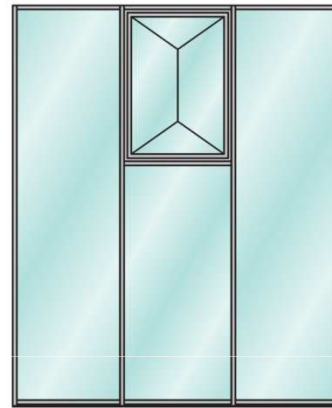
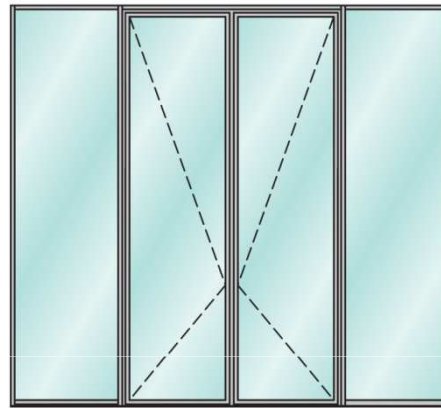
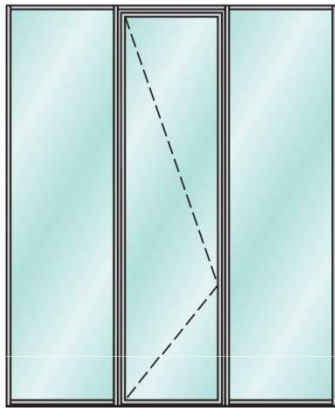
## VISS door – Façade door



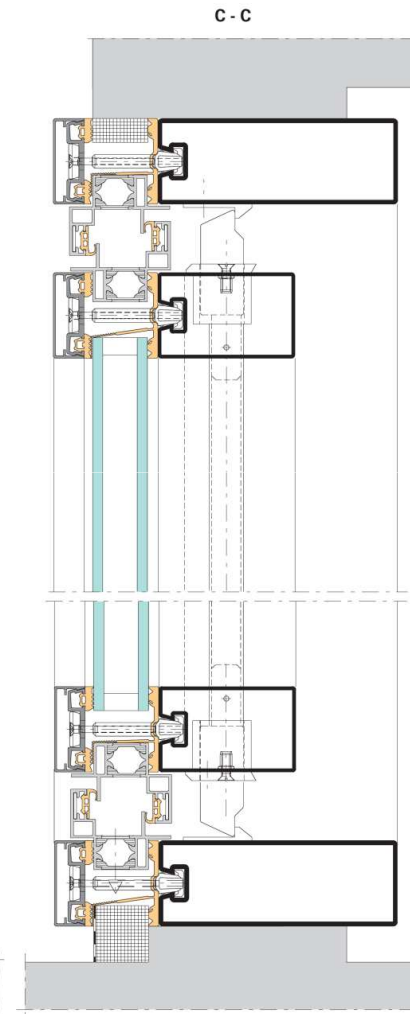
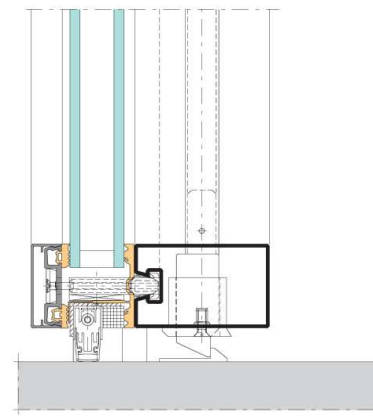
Due to a special conception principle of VISS-doors, even very big heights and sunny (heated) situations are uncritical concerning the bimetal effect (2000 x 6000 mm, 500kg)



## VISS door – Façade door

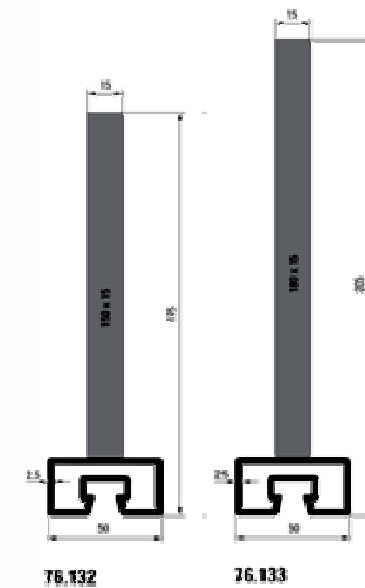


Alternative mit Senkdichtung





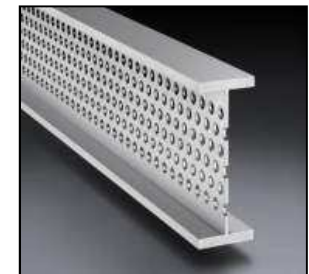
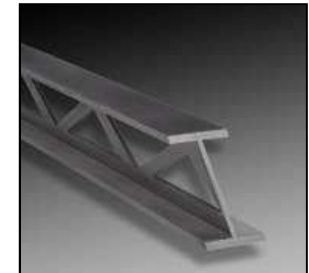
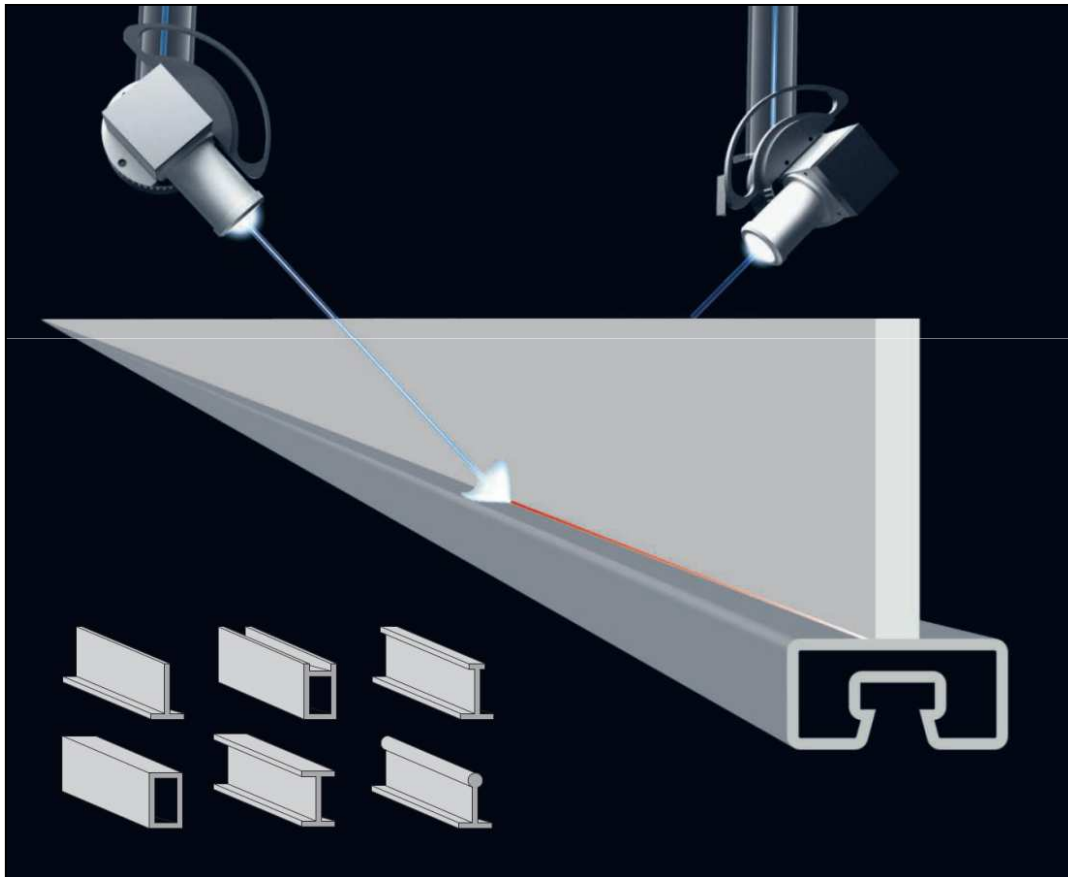
## VISS Linea / I<sub>x</sub>tra



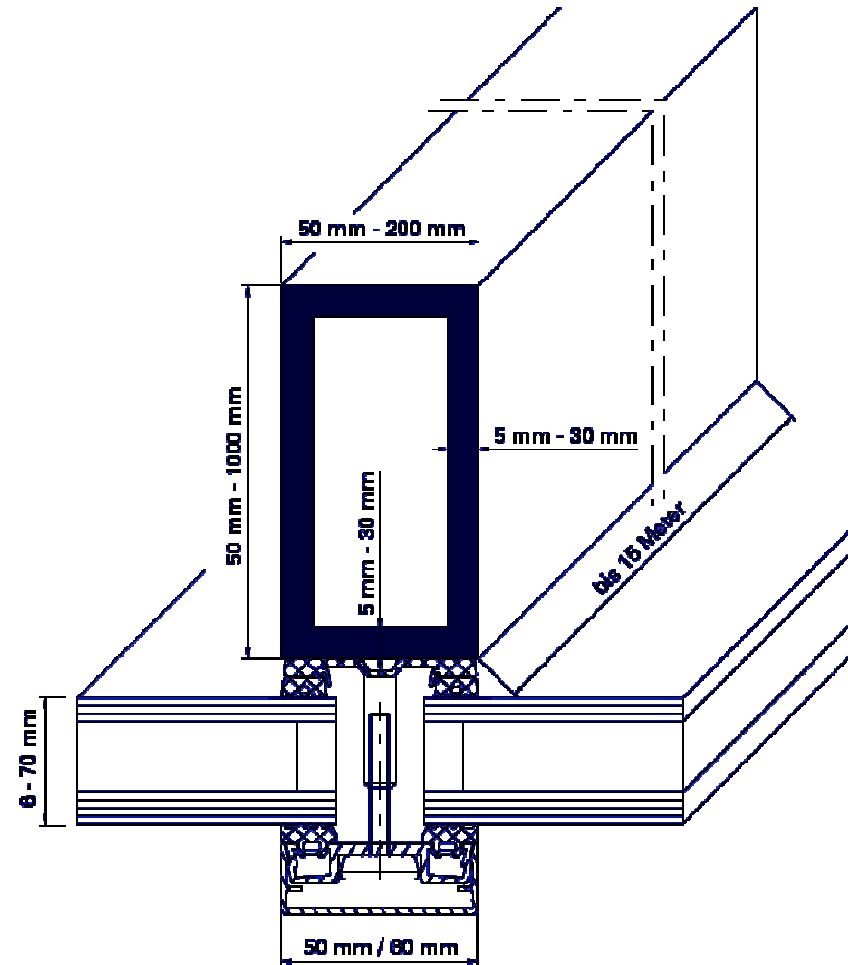
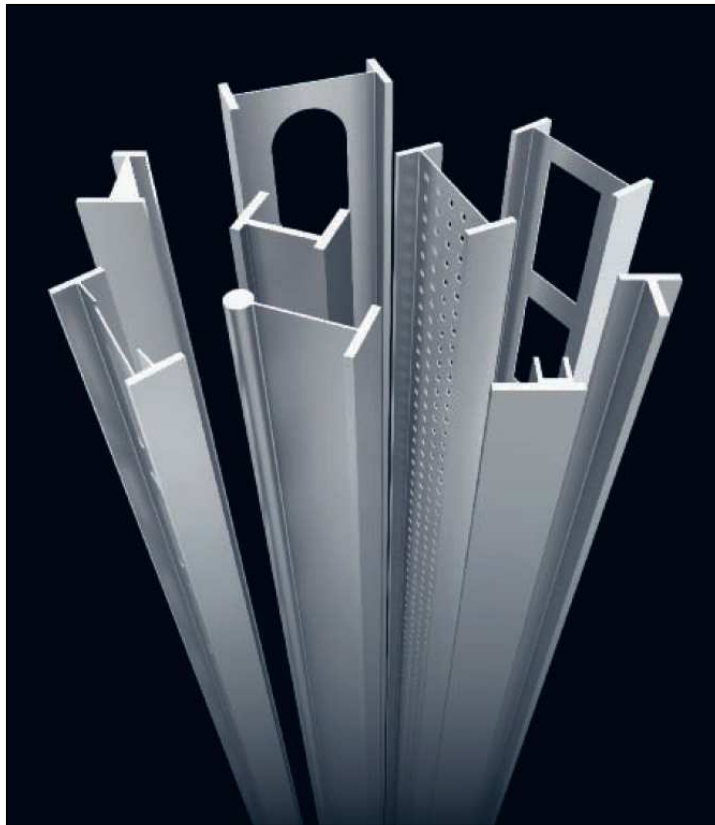
**Project:** Arena Wetzlar / D

**Architect:** Architektur Concept, Zwickau / D

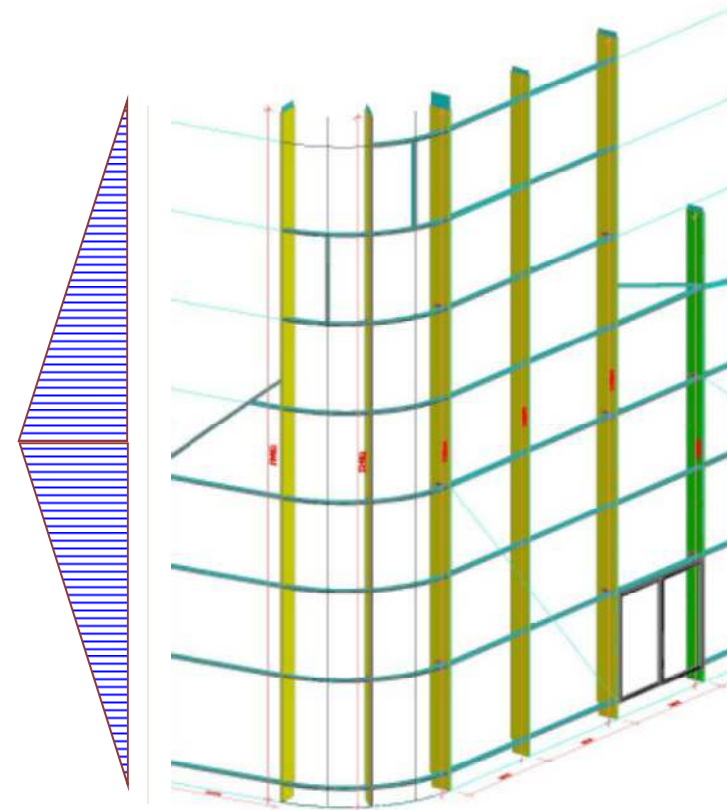
## VISS I<sub>x</sub>tra



## VISS I<sub>x</sub>tra / parameter



## JANSEN VISS I<sub>x</sub>tra



Theater and Concert Hall Kilden (Norway)



JANSEN



Questions?

Jansen AG • [www.jansen.com](http://www.jansen.com) • [info@jansen.com](mailto:info@jansen.com)

JANSEN



Thank you for your attention!

Jansen AG • [www.jansen.com](http://www.jansen.com) • [info@jansen.com](mailto:info@jansen.com)